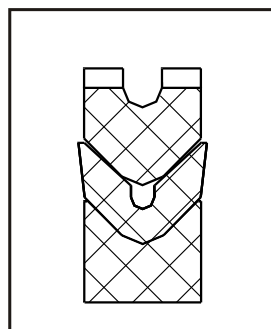
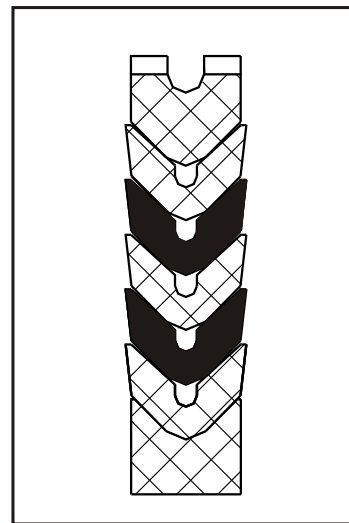
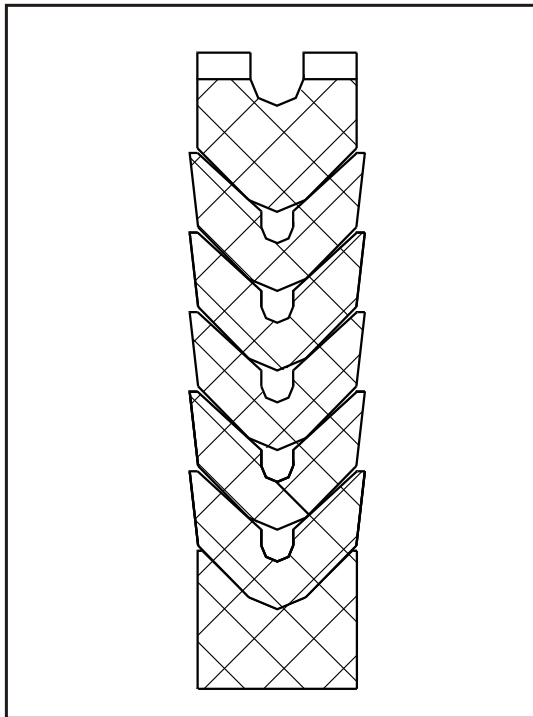
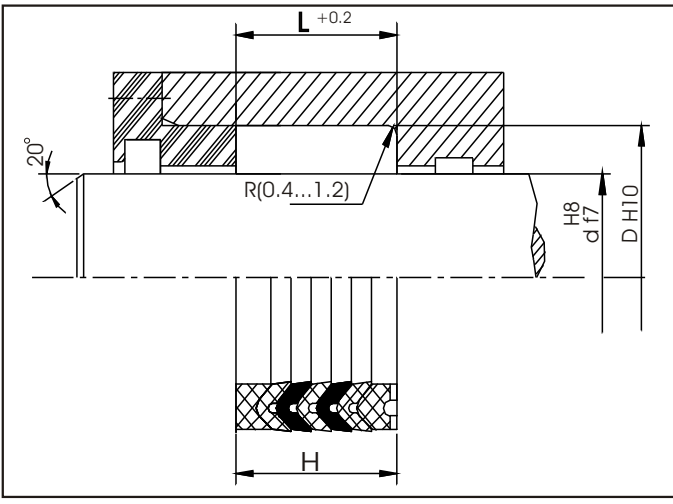




TAKIM CONTALAR CHEVRON SEALING SETS





Tanım.

Üretim programımızda bulunan bu tip sızdırmazlık elemanları, genellikle piston, piston kolu ve yüzer piston sızdırmazlığında kullanılır.

Pamuklu beze NBR emdirilerek hazırlanan takım contalarımız Rod ve Piston olarak iki ayrı seride üretilmektedir.

Piston uygulamalarında kullanılan takım conta serimiz 3 manşetten oluşmaktadır.

Rod uygulamalarında kullanılan serimiz ise en az 5 manşetten oluşturulmuş olup, değişik manşet sayılarındaki yükseklik değerleri tablo halinde sunulmuştur.

Avantajları.

- Geniş çalışma alanı ve çok sayıdaki sızdırmazlık dudağı sayesinde mükemmel performans.
- Ölçüsel süreklilik ve tepe basınçlarına karşı dayanım.
- Montajı kolaylaştırmak için kesilebilme.
- Tek parça contalara nazaran sürtünme yüzeylerindeki pislilere karşı daha az etkilenme.
- Eksenel ayarlarla istisnai çalışma şartlarına uyum.

Standart Malzemeler.

Üst ring:Bez+NBR yada POM.

Ara ring:Bez+NBR ve NBR.

Alt ring :Bez+NBR

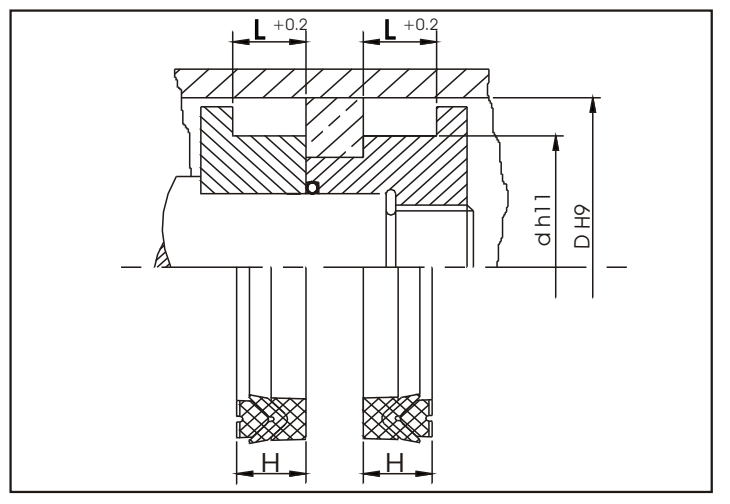
Özel koşullar için;yüksek sıcaklık ve özel kimyasal ortamlarda Bez+FPM(Viton) olarak da üretimimiz mevcuttur.

Yüzey Pürüzlülüğü.

| | Ra μm | Rt μm |
|-----------------------------|------------------|------------------|
| Dinamik Sızdırmazlık Yüzeyi | 0.1....0.4 | 4 max. |
| Statik Sızdırmazlık Yüzeyi | 1.8 max. | 10 max. |
| Yanal Yüzey | 3.2 max. | 16 max. |

Uygulama Aralığı.

| | |
|-------------|------------------|
| Basınç: | ≤ 400 bar. |
| Sıcaklık: | -30.....100 °C. |
| Kayma Hızı: | ≤ 0.5 m/sn. |



Definition.

The chevron sealing sets, which are in our production program, are mainly used to seal the plunger and piston rods of working cylinders.

Our seals, which are produced with NBR impregnated cotton fabric, are in two different series: For rods and for pistons.

For piston applications our packing series consist of 3 chevron seals.

For Rod applications our packing series consist of minimum 5 chevron seals and the heights with different number of chevron seals are given on the following table.

Advantages.

- Very good sealing effect thanks to long bearing surface and multiple sealing lips.
- Good dimensional stability, insensitive to high pressure peaks.
- Seal can be cut for repairs to facilitate fitting.
- Less sensitive than one piece seals to contamination of the operating medium or light damage to the sliding surfaces.
- Adaptability to exceptional working conditions by changing or adjusting the axial preload.

Standard Materials.

Back-up ring:NBR+Fabric or POM.

Chevron seals:NBR+Fabric and NBR.

Header ring :NBR+Fabric

The sealing sets are also available in FPM+Fabric for higher temperatures and special chemical requirements.

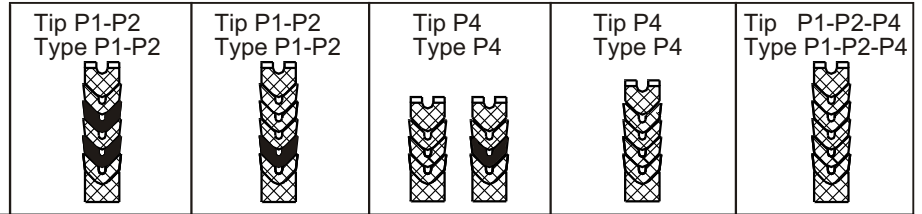
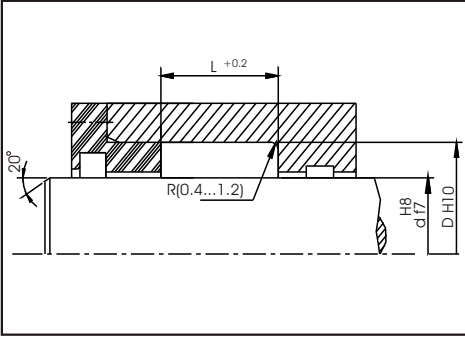
Surface Finish.

| | Ra μm | Rt μm |
|--------------------------|------------------|------------------|
| Dynamic Sealing Surfaces | 0.1....0.4 | 4 max. |
| Static Sealing Surfaces | 1.8 max. | 10 max. |
| Non Sealing Surfaces | 3.2 max. | 16 max. |

Application Conditions.

| | |
|----------------|------------------|
| Pressure: | ≤ 400 bar. |
| Temperature: | -30.....100 °C. |
| Sliding Speed: | ≤ 0.5 m/sn. |

TAKIM CONTA- ROD İÇİN- CHEVRON SEALING SETS- FOR ROD-

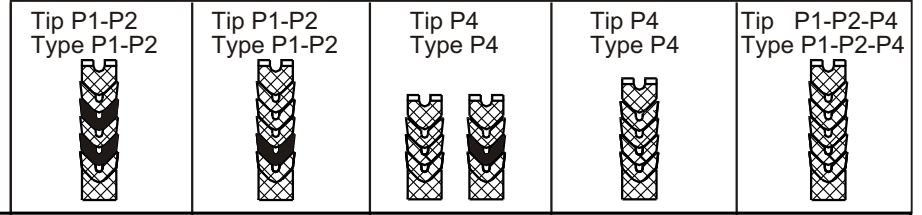
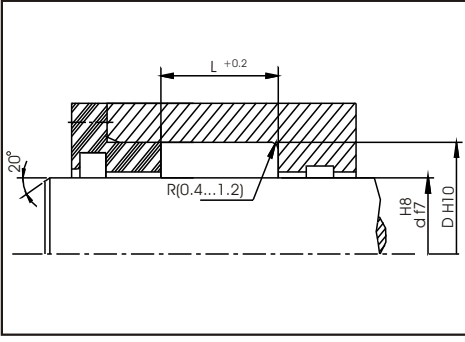


| d | D | H/L | REF.NO. | REF.NO. | REF.NO. | REF.NO. | REF.NO. |
|----|-------|-------|-----------|-----------|-------------|-------------|-------------|
| 8 | 18 | 18,5 | 81.00.001 | | | | |
| 10 | 20 | 18,5 | 81.00.002 | | | | |
| 12 | 22 | 18,5 | 81.00.003 | | | | |
| 14 | 24 | 18,5 | 81.00.004 | | | | |
| 15 | 25 | 18,5 | 81.00.005 | | | | |
| 16 | 26 | 18,5 | 81.00.006 | | | | |
| 16 | 28 | 22,5 | 82.00.039 | | | | |
| 18 | 28 | 18,5 | 81.00.007 | | | | |
| * | 20 | 30 | 16 | | 84.00.308-3 | | |
| | 20 | 30 | 18,5 | 81.00.008 | | | |
| | 20 | 32 | 22,5 | 82.00.001 | | | |
| | 20 | 33 | 17 | | 84.00.011-3 | | |
| | 20 | 33 | 20 | | | 84.00.011-4 | |
| | 20 | 33 | 23 | | | | 84.00.011-5 |
| | 20 | 35 | 16,5 | | 84.00.012-3 | | |
| | 20 | 35 | 19,5 | | | 84.00.012-4 | |
| | 20 | 35 | 22,5 | | | | 84.00.012-5 |
| * | 22 | 32 | 16 | | 84.00.309-3 | | |
| | 22 | 32 | 18,5 | 81.00.009 | | | |
| | 22 | 34 | 22,5 | 82.00.002 | | | |
| | 22,22 | 38,1 | 19,05 | | 84.00.014-3 | | |
| | 22,22 | 38,1 | 22,22 | | | 84.00.014-4 | |
| | 22,22 | 38,1 | 25,4 | | | | 84.00.014-5 |
| | 24 | 38 | 18 | | 84.00.244-3 | | |
| | 24 | 38 | 21 | | | 84.00.244-4 | |
| | 24 | 38 | 24 | | | | 84.00.244-5 |
| * | 25 | 35 | 16 | | 84.00.310-3 | | |
| | 25 | 37 | 22,5 | 81.00.010 | | | |
| | 25 | 40 | 22,5 | 82.00.003 | | | |
| | 25,4 | 34,92 | 15,87 | | 84.00.017-3 | | |
| | 25,4 | 34,92 | 19,05 | | | 84.00.017-4 | |
| | 25,4 | 34,92 | 22,22 | | | | 84.00.017-5 |
| | 25,4 | 38,1 | 15,87 | | 84.00.018-3 | | |
| | 25,4 | 38,1 | 19,05 | | | 84.00.018-4 | |
| | 25,4 | 38,1 | 22,22 | | | | 84.00.018-5 |
| * | 28 | 38 | 16 | | 84.00.311-3 | | |
| | 28 | 40 | 22,5 | 81.00.011 | | | |
| | 28 | 43 | 22,5 | 82.00.004 | | | |
| * | 28 | 43 | 25 | | 84.00.312-3 | | |
| | 28,57 | 41,27 | 19,05 | | 84.00.022-3 | | |
| | 28,57 | 41,27 | 22,22 | | | 84.00.022-4 | |
| | 28,57 | 41,27 | 25,4 | | | | 84.00.022-5 |
| | 29,36 | 42,06 | 15,87 | | 84.00.023-3 | | |
| | 29,36 | 42,06 | 19,05 | | | 84.00.023-4 | |

* =Ölçüler DIN/ISO 5597

* =Dimensions to DIN/ISO 5597

TAKIM CONTA- ROD İÇİN- CHEVRON SEALING SETS- FOR ROD-

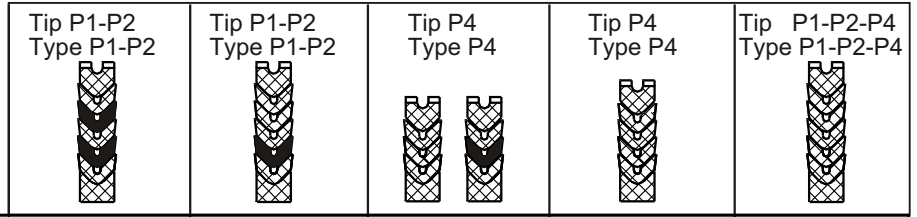
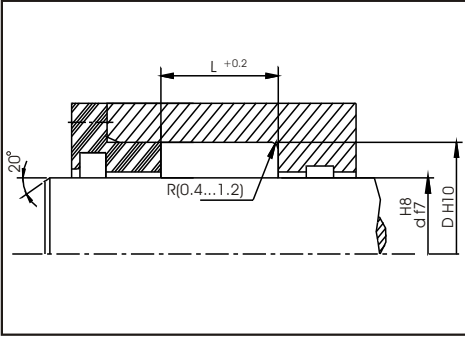


| d | D | H/L | REF.NO. | REF.NO. | REF.NO. | REF.NO. | REF.NO. |
|-------|-------|-------|-----------|-----------|-------------|-------------|-------------|
| 29,36 | 42,06 | 22,22 | | | | | 84.00.023-5 |
| 30 | 42 | 22,5 | 81.00.012 | | | | |
| 30 | 45 | 22,5 | 82.00.005 | | | | |
| 30 | 46 | 24 | | | 84.00.240-3 | | |
| 30 | 46 | 28 | | | | 84.00.240-4 | |
| 30 | 46 | 32 | | | | | 84.00.240-5 |
| 31,75 | 44,45 | 16,5 | | | 84.00.279-3 | | |
| 31,75 | 44,45 | 19,5 | | | | 84.00.279-4 | |
| 31,75 | 44,45 | 22,5 | | | | | 84.00.279-5 |
| * | 32 | 42 | 16 | | 84.00.313-3 | | |
| | 32 | 44 | 22,5 | 81.00.013 | | | |
| | 32 | 47 | 22,5 | 82.00.006 | | | |
| * | 32 | 47 | 25 | | 84.00.314-3 | | |
| | 34,92 | 50,8 | 20,64 | | 84.00.028-3 | | |
| | 34,92 | 50,8 | 23,81 | | | 84.00.028-4 | |
| | 34,92 | 50,8 | 26,98 | | | | 84.00.028-5 |
| | 35 | 47 | 22,5 | 81.00.014 | | | |
| | 35 | 50 | 22,5 | 82.00.007 | | | |
| | 35 | 55 | 20,5 | | 84.00.029-3 | | |
| | 35 | 55 | 24 | | | 84.00.029-4 | |
| | 35 | 55 | 27,5 | | | | 84.00.029-5 |
| * | 36 | 46 | 16 | | 84.00.315-3 | | |
| | 36 | 48 | 22,5 | 81.00.015 | | | |
| | 36 | 51 | 22,5 | 82.00.008 | | | |
| * | 36 | 51 | 25 | | 84.00.316-3 | | |
| | 36 | 52 | 24 | | 84.00.030-3 | | |
| | 36 | 52 | 28 | | | 84.00.030-4 | |
| | 36 | 52 | 32 | | | | 84.00.030-5 |
| | 38,1 | 50,8 | 15,88 | | 84.00.033-3 | | |
| | 38,1 | 50,8 | 19,05 | | | 84.00.033-4 | |
| | 38,1 | 50,8 | 22,22 | | | | 84.00.033-5 |
| | 38,1 | 53,97 | 23,8 | | 84.00.034-3 | | |
| | 38,1 | 53,97 | 27,78 | | | 84.00.034-4 | |
| | 38,1 | 53,97 | 31,75 | | | | 84.00.034-5 |
| | 38,1 | 57,15 | 25,4 | | 84.00.035-3 | | |
| | 38,1 | 57,15 | 29,36 | | | 84.00.035-4 | |
| | 38,1 | 57,15 | 33,33 | | | | 84.00.035-5 |
| * | 40 | 50 | 16 | | 84.00.317-3 | | |
| | 40 | 50 | 15 | | 84.00.037-3 | | |
| | 40 | 50 | 17,5 | | | 84.00.037-4 | |
| | 40 | 50 | 20 | | | | 84.00.037-5 |
| | 40 | 51 | 16,5 | | 84.00.241-3 | | |
| | 40 | 51 | 19,5 | | | 84.00.241-4 | |
| | 40 | 51 | 22,5 | | | | 84.00.241-5 |

* =Ölçüler DIN/ISO 5597

* =Dimensions to DIN/ISO 5597

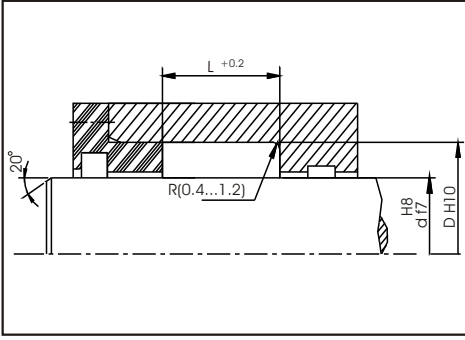
TAKIM CONTA- ROD İÇİN- CHEVRON SEALING SETS- FOR ROD-



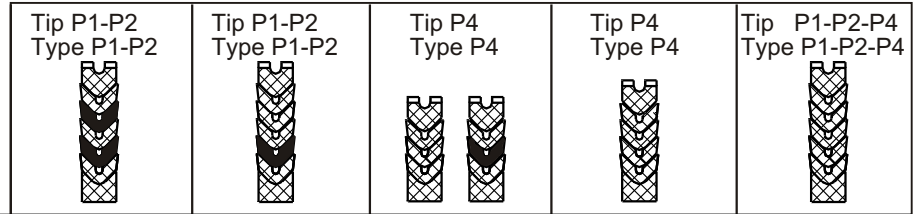
| d | D | H/L | REF.NO. | REF.NO. | REF.NO. | REF.NO. | REF.NO. |
|-------|-------|-------|-----------|---------|-------------|-------------|-------------|
| 40 | 52 | 22,5 | 81.00.016 | | | | |
| 40 | 53 | 16,5 | | | 84.00.038-3 | | |
| 40 | 53 | 19,5 | | | | 84.00.038-4 | |
| 40 | 53 | 22,5 | | | | | 84.00.038-5 |
| 40 | 55 | 22,5 | 82.00.009 | | | | |
| * 40 | 55 | 25 | | | 84.00.318-3 | | |
| 40 | 60 | 27 | | | 84.00.039-3 | | |
| 40 | 60 | 32 | | | | 84.00.039-4 | |
| 40 | 60 | 37 | | | | | 84.00.039-5 |
| 41,27 | 53,97 | 15,88 | | | 84.00.040-3 | | |
| 41,27 | 53,97 | 19,05 | | | | 84.00.040-4 | |
| 41,27 | 53,97 | 22,22 | | | | | 84.00.040-5 |
| 42 | 54 | 22,5 | 81.00.017 | | | | |
| 42 | 57 | 22,5 | 82.00.010 | | | | |
| 44,45 | 57,15 | 15,88 | | | 84.00.043-3 | | |
| 44,45 | 57,15 | 19,05 | | | | 84.00.043-4 | |
| 44,45 | 57,15 | 22,22 | | | | | 84.00.043-5 |
| 44,45 | 60,32 | 16,5 | | | 84.00.280-3 | | |
| 44,45 | 60,32 | 19,5 | | | | 84.00.280-4 | |
| 44,45 | 60,32 | 22,5 | | | | | 84.00.280-5 |
| 44,45 | 63,5 | 25,4 | | | 84.00.044-3 | | |
| 44,45 | 63,5 | 29,36 | | | | 84.00.044-4 | |
| 44,45 | 63,5 | 33,33 | | | | | 84.00.044-5 |
| * 45 | 55 | 16 | | | 84.00.319-3 | | |
| * 45 | 60 | 22,5 | 81.00.018 | | | | |
| * 45 | 60 | 25 | | | 84.00.320-3 | | |
| 45 | 65 | 27,5 | 82.00.011 | | | | |
| 45,24 | 60,32 | 16,6 | | | 84.00.046-3 | | |
| 45,24 | 60,32 | 20,2 | | | | 84.00.046-4 | |
| 45,24 | 60,32 | 23,8 | | | | | 84.00.046-5 |
| 47,62 | 73,02 | 36,5 | | | 84.00.047-3 | | |
| 47,62 | 73,02 | 42,45 | | | | 84.00.047-4 | |
| 47,62 | 73,02 | 48,4 | | | | | 84.00.047-5 |
| * 50 | 60 | 16 | | | 84.00.320-3 | | |
| 50 | 60 | 17 | | | 84.00.049-3 | | |
| 50 | 60 | 20 | | | | 84.00.049-4 | |
| 50 | 60 | 23 | | | | | 84.00.049-5 |
| 50 | 62 | 19 | | | 84.00.050-3 | | |
| 50 | 62 | 22,5 | | | | 84.00.050-4 | |
| 50 | 62 | 26 | | | | | 84.00.050-5 |
| * 50 | 65 | 22,5 | 81.00.019 | | | | |
| * 50 | 65 | 25 | | | 84.00.321-3 | | |
| 50 | 70 | 30 | 82.00.012 | | | | |
| 50 | 80 | 34,4 | | | 84.00.051-3 | | |

* =Ölçüler DIN/ISO 5597

* =Dimensions to DIN/ISO 5597



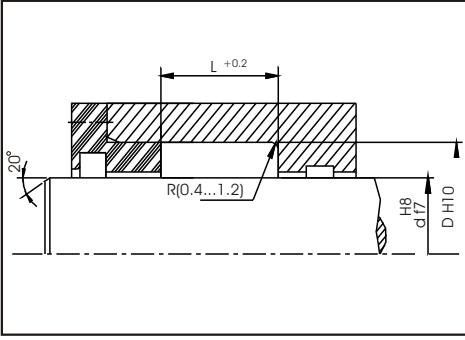
TAKIM CONTA- ROD İÇİN- CHEVRON SEALING SETS- FOR ROD-



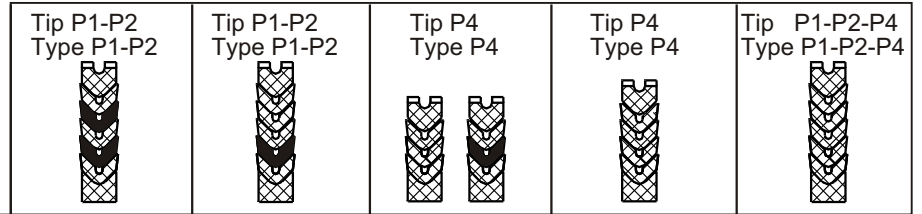
| d | D | H/L | REF.NO. | REF.NO. | REF.NO. | REF.NO. | REF.NO. |
|-------|-------|-------|-----------|---------|-------------|-------------|-------------|
| 50 | 80 | 41 | | | | 84.00.051-4 | |
| 50 | 80 | 48,4 | | | | | 84.00.051-5 |
| 50,8 | 63,5 | 15,88 | | | 84.00.052-3 | | |
| 50,8 | 63,5 | 19,05 | | | | 84.00.052-4 | |
| 50,8 | 63,5 | 22,22 | | | | | 84.00.052-5 |
| 50,8 | 66,67 | 26,98 | | | 84.00.053-3 | | |
| 50,8 | 66,67 | 31,75 | | | | 84.00.053-4 | |
| 50,8 | 66,67 | 36,5 | | | | | 84.00.053-5 |
| 50,8 | 69,85 | 26,98 | | | 84.00.242-3 | | |
| 50,8 | 69,85 | 31,75 | | | | 84.00.242-4 | |
| 50,8 | 69,85 | 36,5 | | | | | 84.00.242-5 |
| 53,97 | 66,67 | 15,87 | | | 84.00.054-3 | | |
| 53,97 | 66,67 | 19,05 | | | | 84.00.054-4 | |
| 53,97 | 66,67 | 22,22 | | | | | 84.00.054-5 |
| 55 | 70 | 22,5 | 81.00.020 | | | | |
| 55 | 70 | 26,5 | | | 84.00.322-3 | | |
| 55 | 75 | 30 | 82.00.013 | | | | |
| 55,56 | 69,85 | 20,63 | | | 84.00.056-3 | | |
| 55,56 | 69,85 | 24,2 | | | | 84.00.056-4 | |
| 55,56 | 69,85 | 27,78 | | | | | 84.00.056-5 |
| 56 | 71 | 22,5 | 81.00.021 | | | | |
| 56 | 71 | 25 | | | 84.00.323-3 | | |
| 56 | 76 | 32 | | | 84.00.324-3 | | |
| 56 | 76 | 37 | 82.00.014 | | | | |
| 57,15 | 73,02 | 19,05 | | | 84.00.057-3 | | |
| 57,15 | 73,02 | 22,22 | | | | 84.00.057-4 | |
| 57,15 | 73,02 | 25,4 | | | | | 84.00.057-5 |
| 57,15 | 76,2 | 25,4 | | | 84.00.058-3 | | |
| 57,15 | 76,2 | 30,16 | | | | 84.00.058-4 | |
| 57,15 | 76,2 | 34,92 | | | | | 84.00.058-5 |
| 57,15 | 79,37 | 31,75 | | | 84.00.059-3 | | |
| 57,15 | 79,37 | 36,5 | | | | 84.00.059-4 | |
| 57,15 | 79,37 | 41,27 | | | | | 84.00.059-5 |
| 60 | 75 | 22,5 | 81.00.022 | | | | |
| 60 | 80 | 37 | 82.00.015 | | | | |
| 60 | 85 | 27 | | | 84.00.060-3 | | |
| 60 | 85 | 32 | | | | 84.00.060-4 | |
| 60 | 85 | 37 | | | | | 84.00.060-5 |
| 60,32 | 76,2 | 21,43 | | | 84.00.061-3 | | |
| 60,32 | 76,2 | 25 | | | | 84.00.061-4 | |
| 60,32 | 76,2 | 28,57 | | | | | 84.00.061-5 |
| 62 | 84 | 30 | | | 84.00.063-3 | | |
| 62 | 84 | 35 | | | | 84.00.063-4 | |
| 62 | 84 | 40 | | | | | 84.00.063-5 |

* =Ölçüler DIN/ISO 5597

* =Dimensions to DIN/ISO 5597



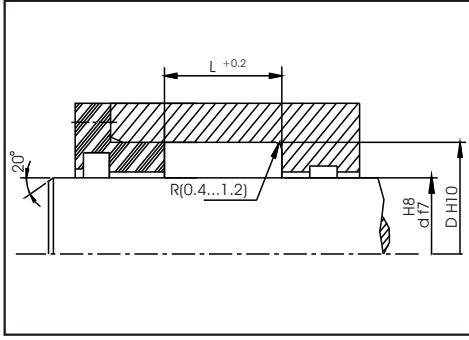
TAKIM CONTA- ROD İÇİN- CHEVRON SEALING SETS- FOR ROD-



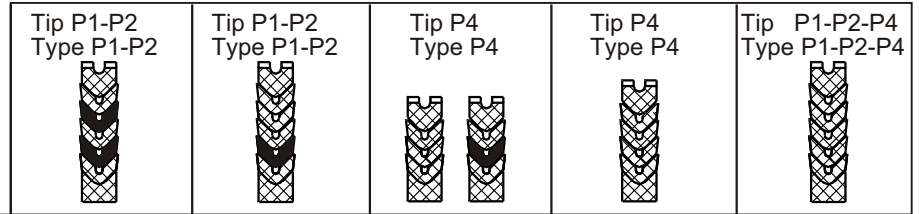
| d | D | H/L | REF.NO. | REF.NO. | REF.NO. | REF.NO. | REF.NO. |
|-------|-------|-------|-----------|---------|-------------|-------------|-------------|
| 63 | 75 | 18 | | | 84.00.064-3 | | |
| 63 | 75 | 21,5 | | | | 84.00.064-4 | |
| 63 | 75 | 25 | | | | | 84.00.064-5 |
| 63 | 78 | 22,5 | 81.00.023 | | | | |
| * 63 | 78 | 25 | | | 84.00.325-3 | | |
| * 63 | 83 | 32 | | | 84.00.326-3 | | |
| 63 | 83 | 37 | 82.00.016 | | | | |
| 63,5 | 79,37 | 19,05 | | | 84.00.065-3 | | |
| 63,5 | 79,37 | 22,22 | | | | 84.00.065-4 | |
| 63,5 | 79,37 | 25,4 | | | | | 84.00.065-5 |
| 63,5 | 82,55 | 25,4 | | | 84.00.066-3 | | |
| 63,5 | 82,55 | 30,16 | | | | 84.00.066-4 | |
| 63,5 | 82,55 | 34,92 | | | | | 84.00.066-5 |
| 65 | 80 | 22,5 | 81.00.024 | | | | |
| 65 | 85 | 40 | 82.00.017 | | | | |
| 65 | 90 | 34 | | | 84.00.067-3 | | |
| 65 | 90 | 40 | | | | 84.00.067-4 | |
| 65 | 90 | 46 | | | | | 84.00.067-5 |
| 66,67 | 85,72 | 22,22 | | | 84.00.068-3 | | |
| 66,67 | 85,72 | 26,19 | | | | 84.00.068-4 | |
| 66,67 | 85,72 | 30,16 | | | | | 84.00.068-5 |
| 66,67 | 88,9 | 37,3 | | | 84.00.069-3 | | |
| 66,67 | 88,9 | 43,65 | | | | 84.00.069-4 | |
| 66,67 | 88,9 | 50 | | | | | 84.00.069-5 |
| 69,85 | 88,9 | 23,81 | | | 84.00.070-3 | | |
| 69,85 | 88,9 | 28,57 | | | | 84.00.070-4 | |
| 69,85 | 88,9 | 33,33 | | | | | 84.00.070-5 |
| 70 | 85 | 22,5 | 81.00.025 | | | | |
| * 70 | 85 | 25 | | | 84.00.327-3 | | |
| 70 | 85 | 28 | | | 84.00.328-3 | | |
| * 70 | 90 | 32 | | | 84.00.329-3 | | |
| 70 | 90 | 40 | 82.00.018 | | | | |
| 70 | 95 | 36,5 | | | 84.00.071-3 | | |
| 70 | 95 | 42,5 | | | | 84.00.071-4 | |
| 70 | 95 | 48,5 | | | | | 84.00.071-5 |
| 75 | 90 | 22,5 | 81.00.026 | | | | |
| 75 | 95 | 40 | 82.00.019 | | | | |
| 75 | 100 | 34 | | | 84.00.072-3 | | |
| 75 | 100 | 40 | | | | 84.00.072-4 | |
| 75 | 100 | 46 | | | | | 84.00.072-5 |
| 76,2 | 88,9 | 19,05 | | | 84.00.073-3 | | |
| 76,2 | 88,9 | 22,22 | | | | 84.00.073-4 | |
| 76,2 | 88,9 | 25,4 | | | | | 84.00.073-5 |
| 76,2 | 95,25 | 25,4 | | | 84.00.074-3 | | |

* =Ölçüler DIN/ISO 5597

* =Dimensions to DIN/ISO 5597



TAKIM CONTA- ROD İÇİN- CHEVRON SEALING SETS- FOR ROD-

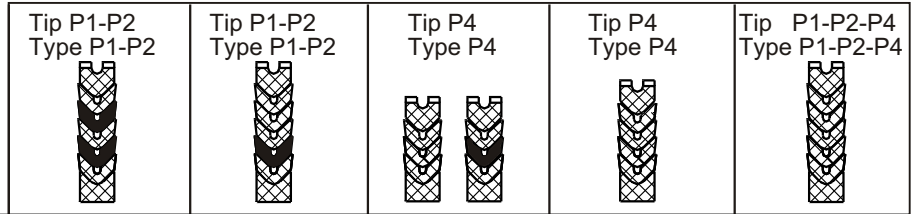
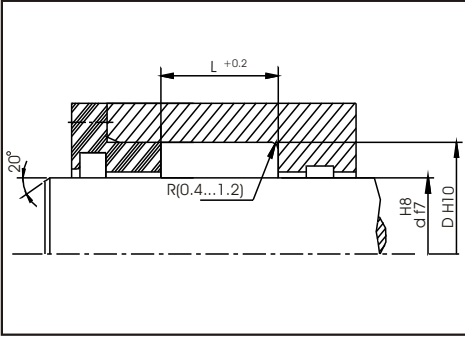


| d | D | H/L | REF.NO. | REF.NO. | REF.NO. | REF.NO. | REF.NO. |
|-------|--------|-------|-----------|---------|-------------|-------------|-------------|
| 76,2 | 95,25 | 30,16 | | | | 84.00.074-4 | |
| 76,2 | 95,25 | 34,92 | | | | | 84.00.074-5 |
| 79,37 | 101,6 | 25,4 | | | 84.00.238-3 | | |
| 79,37 | 101,6 | 30,16 | | | | 84.00.238-4 | |
| 79,37 | 101,6 | 34,92 | | | | | 84.00.238-5 |
| 80 | 95 | 22,5 | 81.00.027 | | | | |
| * | 80 | 95 | | | 84.00.330-3 | | |
| * | 80 | 100 | | | 84.00.331-3 | | |
| 80 | 100 | 40 | 82.00.020 | | | | |
| 80 | 105 | 34,5 | | | 84.00.075-3 | | |
| 80 | 105 | 40 | | | | 84.00.075-4 | |
| 80 | 105 | 45,5 | | | | | 84.00.075-5 |
| 82,55 | 98,42 | 22,22 | | | 84.00.077-3 | | |
| 82,55 | 98,42 | 25,79 | | | | 84.00.077-4 | |
| 82,55 | 98,42 | 29,36 | | | | | 84.00.077-5 |
| 82,55 | 101,6 | 25,4 | | | 84.00.078-3 | | |
| 82,55 | 101,6 | 30,16 | | | | 84.00.078-4 | |
| 82,55 | 101,6 | 34,92 | | | | | 84.00.078-5 |
| 85 | 100 | 22,5 | 81.00.028 | | | | |
| 85 | 105 | 40 | 82.00.021 | | | | |
| 85 | 110 | 27,5 | | | 84.00.080-3 | | |
| 85 | 110 | 32,5 | | | | 84.00.080-4 | |
| 85 | 110 | 37,5 | | | | | 84.00.080-5 |
| 88,9 | 107,95 | 26,1 | | | 84.00.081-3 | | |
| 88,9 | 107,95 | 30,95 | | | | 84.00.081-4 | |
| 88,9 | 107,95 | 35,71 | | | | | 84.00.081-5 |
| 90 | 105 | 22,5 | 81.00.029 | | | | |
| * | 90 | 105 | | | 84.00.332-3 | | |
| | 90 | 110 | | | 84.00.333-3 | | |
| * | 90 | 110 | | | 84.00.334-3 | | |
| 90 | 110 | 40 | 82.00.022 | | | | |
| 90 | 115 | 36,5 | | | 84.00.082-3 | | |
| 90 | 115 | 42,5 | | | | 84.00.082-4 | |
| 90 | 115 | 48,5 | | | | | 84.00.082-5 |
| 90 | 120 | 45 | | | 84.00.244-3 | | |
| 90 | 120 | 52,5 | | | | 84.00.244-4 | |
| 90 | 120 | 60 | | | | | 84.00.244-5 |
| 90 | 125 | 42,5 | | | 84.00.248-3 | | |
| 90 | 125 | 50 | | | | 84.00.248-4 | |
| 90 | 125 | 57,5 | | | | | 84.00.248-5 |
| 92,07 | 104,77 | 16,66 | | | 84.00.282-3 | | |
| 92,07 | 104,77 | 19,83 | | | | 84.00.282-4 | |
| 92,07 | 104,77 | 23,02 | | | | | 84.00.282-5 |
| 93,5 | 106,5 | 23,1 | | | 84.00.083-3 | | |

* =Ölçüler DIN/ISO 5597

* =Dimensions to DIN/ISO 5597

TAKIM CONTA- ROD İÇİN- CHEVRON SEALING SETS- FOR ROD-

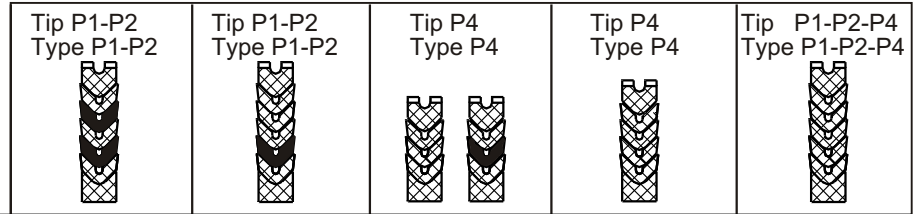
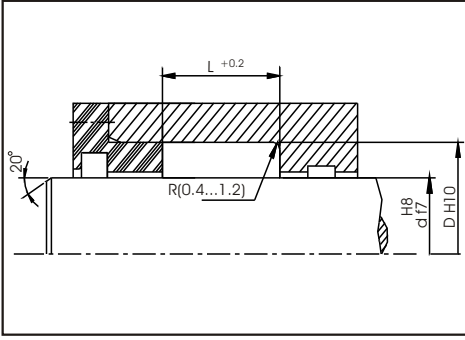


| d | D | H/L | REF.NO. | REF.NO. | REF.NO. | REF.NO. | REF.NO. |
|-------|--------|--------|---------|-----------|-------------|-------------|-------------|
| 93,5 | 106,5 | 27,1 | | | | 84.00.083-4 | |
| 93,5 | 106,5 | 31,1 | | | | | 84.00.083-5 |
| 95 | 110 | 16,5 | | | 84.00.084-3 | | |
| 95 | 110 | 19 | | | | 84.00.084-4 | |
| 95 | 110 | 22,5 | | | | | 84.00.084-5 |
| 95 | 120 | 36,5 | | | 84.00.085-3 | | |
| 95 | 120 | 42,5 | | | | 84.00.085-4 | |
| 95 | 120 | 48,5 | | | | | 84.00.085-5 |
| 95,25 | 114,3 | 25,4 | | | 84.00.086-3 | | |
| 95,25 | 114,3 | 30,16 | | | | 84.00.086-4 | |
| 95,25 | 114,3 | 34,92 | | | | | 84.00.086-5 |
| 98,42 | 114,3 | 15,88 | | | 84.00.087-3 | | |
| 98,42 | 114,3 | 19,05 | | | | 84.00.087-4 | |
| 98,42 | 114,3 | 22,22 | | | | | 84.00.087-5 |
| 100 | 115 | 30 | | 81.00.030 | | | |
| * | 100 | 120 | | | 84.00.335-3 | | |
| | 100 | 120 | | 82.00.023 | | | |
| * | 100 | 125 | | | 84.00.336-3 | | |
| | 100 | 125 | | | 84.00.090-3 | | |
| | 100 | 125 | | | | 84.00.090-4 | |
| | 100 | 125 | | | | | 84.00.090-5 |
| | 100 | 130 | | | 84.00.091-3 | | |
| | 100 | 130 | | | | 84.00.091-4 | |
| | 100 | 130 | | | | | 84.00.091-5 |
| | 101,6 | 117,47 | | | 84.00.092-3 | | |
| | 101,6 | 117,47 | | | | 84.00.092-4 | |
| | 101,6 | 117,47 | | | | | 84.00.092-5 |
| | 101,6 | 120,65 | | | 84.00.299-3 | | |
| | 101,6 | 120,65 | | | | 84.00.299-4 | |
| | 101,6 | 120,65 | | | | | 84.00.299-5 |
| | 101,6 | 123,62 | | | 84.00.093-3 | | |
| | 101,6 | 123,62 | | | | 84.00.093-4 | |
| | 101,6 | 123,62 | | | | | 84.00.093-5 |
| | 105 | 120 | | | 84.00.094-3 | | |
| | 105 | 120 | | | | 84.00.094-4 | |
| | 105 | 120 | | | | | 84.00.094-5 |
| | 105 | 125 | | | 84.00.095-3 | | |
| | 105 | 125 | | | | 84.00.095-4 | |
| | 105 | 125 | | | | | 84.00.095-5 |
| | 105 | 130 | | | 84.00.096-3 | | |
| | 105 | 130 | | | | 84.00.096-4 | |
| | 105 | 130 | | | | | 84.00.096-5 |
| | 107,95 | 120,65 | | | 84.00.301-3 | | |
| | 107,95 | 120,65 | | | | 84.00.301-4 | |

* =Ölçüler DIN/ISO 5597

* =Dimensions to DIN/ISO 5597

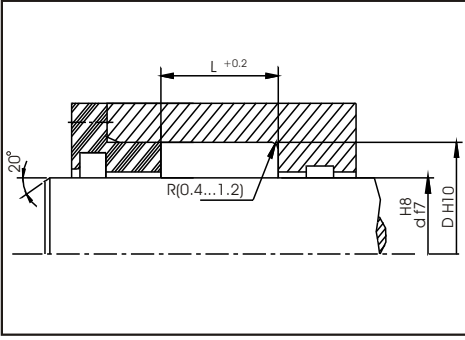
TAKIM CONTA- ROD İÇİN- CHEVRON SEALING SETS- FOR ROD-



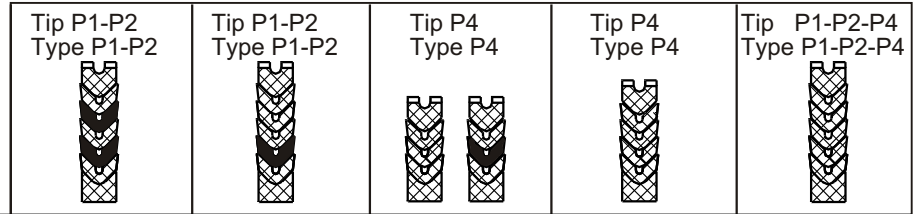
| d | D | H/L | REF.NO. | REF.NO. | REF.NO. | REF.NO. | REF.NO. |
|--------|--------|-------|---------|-----------|-------------|-------------|-------------|
| 107,95 | 120,65 | 25,37 | | | | | 84.00.301-5 |
| 110 | 125 | 30 | | 81.00.031 | | | |
| * 110 | 130 | 32 | | | 84.00.337-3 | | |
| 110 | 130 | 40 | | 82.00.024 | | | |
| 110 | 135 | 34 | | | 84.00.097-3 | | |
| * 110 | 135 | 40 | | | | 84.00.097-4 | |
| 110 | 135 | 46 | | | | | 84.00.097-5 |
| 110 | 140 | 45 | | | 84.00.098-3 | | |
| 110 | 140 | 52,5 | | | | 84.00.098-4 | |
| 110 | 140 | 60 | | | | | 84.00.098-5 |
| 114,3 | 136,52 | 30,16 | | | 84.00.283-3 | | |
| 114,3 | 136,52 | 34,92 | | | | 84.00.283-4 | |
| 114,3 | 136,52 | 39,68 | | | | | 84.00.283-5 |
| 114,3 | 139,7 | 36,51 | | | 84.00.100-3 | | |
| 114,3 | 139,7 | 42,86 | | | | 84.00.100-4 | |
| 114,3 | 139,7 | 49,21 | | | | | 84.00.100-5 |
| 115 | 130 | 30 | | 81.00.032 | | | |
| 115 | 135 | 26 | | | 84.00.101-3 | | |
| 115 | 135 | 31 | | | | 84.00.101-4 | |
| 115 | 135 | 36 | | | | | 84.00.101-5 |
| 115 | 140 | 46 | | 82.00.025 | | | |
| 117,47 | 130,17 | 19,05 | | | 84.00.102-3 | | |
| 117,47 | 130,17 | 22,22 | | | | 84.00.102-4 | |
| 117,47 | 130,17 | 25,4 | | | | | 84.00.102-5 |
| 117,47 | 143,9 | 26 | | | 84.00.284-3 | | |
| 117,47 | 143,9 | 32,5 | | | | 84.00.284-4 | |
| 117,47 | 143,9 | 39 | | | | | 84.00.284-5 |
| 120 | 135 | 30 | | 81.00.033 | | | |
| 120 | 140 | 30 | | | 84.00.104-3 | | |
| 120 | 140 | 35 | | | | 84.00.104-4 | |
| 120 | 140 | 40 | | | | | 84.00.104-5 |
| 120 | 145 | 46 | | 82.00.026 | | | |
| 120,65 | 139,7 | 36,51 | | | 84.00.105-3 | | |
| 120,65 | 139,7 | 42,86 | | | | 84.00.105-4 | |
| 120,65 | 139,7 | 49,21 | | | | | 84.00.105-5 |
| 125 | 140 | 35 | | 81.00.034 | | | |
| * 125 | 145 | 32 | | | 84.00.338-3 | | |
| 125 | 145 | 32,5 | | | 84.00.106-3 | | |
| 125 | 145 | 38 | | | | 84.00.106-4 | |
| 125 | 145 | 43,5 | | | | | 84.00.106-5 |
| * 125 | 150 | 40 | | | | 84.00.339-4 | |
| 125 | 150 | 46 | | 82.00.027 | | | |
| 125 | 155 | 45 | | | 84.00.107-3 | | |
| 125 | 155 | 52,5 | | | | 84.00.107-4 | |

* =Ölçüler DIN/ISO 5597

* =Dimensions to DIN/ISO 5597



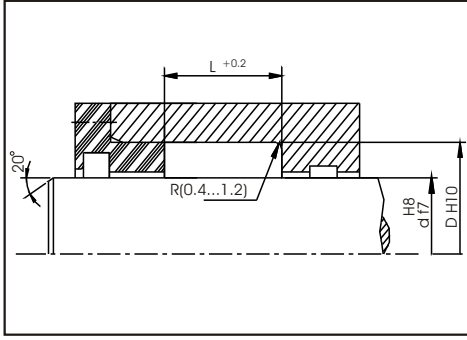
TAKIM CONTA- ROD İÇİN- CHEVRON SEALING SETS- FOR ROD-



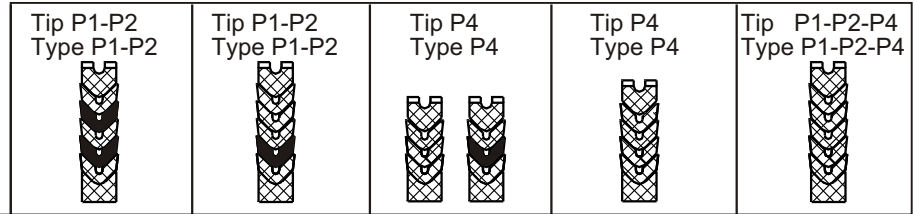
| d | D | H/L | REF.NO. | REF.NO. | REF.NO. | REF.NO. | REF.NO. |
|-------|--------|-------|---------|-----------|-------------|-------------|-------------|
| 125 | 155 | 60 | | | | | 84.00.107-5 |
| 126,2 | 139,7 | 20,64 | | | 84.00.108-3 | | |
| 126,2 | 139,7 | 25,4 | | | | 84.00.108-4 | |
| 126,2 | 139,7 | 30,16 | | | | | 84.00.108-5 |
| 127 | 139,7 | 21,43 | | | 84.00.109-3 | | |
| 127 | 139,7 | 25 | | | | 84.00.109-4 | |
| 127 | 139,7 | 28,57 | | | | | 84.00.109-5 |
| 127 | 142,87 | 19,05 | | | 84.00.110-3 | | |
| 127 | 142,87 | 23,02 | | | | 84.00.110-4 | |
| 127 | 142,87 | 26,98 | | | | | 84.00.110-5 |
| 127 | 146,05 | 29 | | | 84.00.306-3 | | |
| 127 | 146,05 | 34 | | | | 84.00.306-4 | |
| 127 | 146,05 | 39 | | | | | 84.00.306-5 |
| 127 | 149,22 | 30,16 | | | 84.00.246-3 | | |
| 127 | 149,22 | 34,92 | | | | 84.00.246-4 | |
| 127 | 149,22 | 39,68 | | | | | 84.00.246-5 |
| 127 | 152,4 | 33,33 | | | 84.00.111-3 | | |
| 127 | 152,4 | 39,68 | | | | 84.00.111-4 | |
| 127 | 152,4 | 46,03 | | | | | 84.00.111-5 |
| 130 | 150 | 24 | | | 84.00.112-3 | | |
| 130 | 150 | 28 | | | | 84.00.112-4 | |
| 130 | 150 | 32 | | | | | 84.00.112-5 |
| 130 | 155 | 36,5 | | | 84.00.113-3 | | |
| 130 | 155 | 42,5 | | | | 84.00.113-4 | |
| 130 | 155 | 48,5 | | | | | 84.00.113-5 |
| 135 | 160 | 35 | | | 84.00.114-3 | | |
| 135 | 160 | 41 | | | | 84.00.114-4 | |
| 135 | 160 | 47 | | | | | 84.00.114-5 |
| 135 | 165 | 40 | | | 84.00.115-3 | | |
| 135 | 165 | 47,5 | | | | 84.00.115-4 | |
| 135 | 165 | 55 | | | | | 84.00.115-5 |
| 139,7 | 152,4 | 19,05 | | | 84.00.116-3 | | |
| 139,7 | 152,4 | 22,22 | | | | 84.00.116-4 | |
| 139,7 | 152,4 | 25,4 | | | | | 84.00.116-5 |
| 139,7 | 165,1 | 31,75 | | | 84.00.117-3 | | |
| 139,7 | 165,1 | 38,1 | | | | 84.00.117-4 | |
| 139,7 | 165,1 | 44,45 | | | | | 84.00.117-5 |
| 140 | 155 | 35 | | 81.00.035 | | | |
| 140 | 157 | 24 | | | 84.00.118-3 | | |
| 140 | 157 | 28 | | | | 84.00.118-4 | |
| 140 | 157 | 32 | | | | | 84.00.118-5 |
| * | 140 | 160 | | | 84.00.340-3 | | |
| | 140 | 160 | | | 84.00.119-3 | | |
| | 140 | 160 | | | | 84.00.119-4 | |

* =Ölçüler DIN/ISO 5597

* =Dimensions to DIN/ISO 5597



TAKIM CONTA- ROD İÇİN- CHEVRON SEALING SETS- FOR ROD-

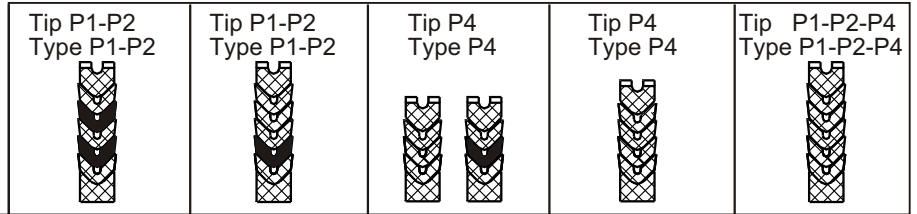
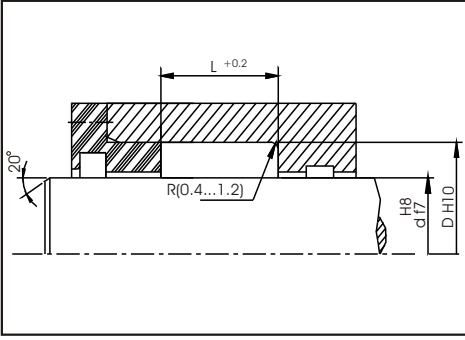


| d | D | H/L | REF.NO. | REF.NO. | REF.NO. | REF.NO. | REF.NO. |
|--------|--------|-------|---------|-----------|-------------|-------------|-------------|
| | | | | | | | 84.00.119-5 |
| 140 | 160 | 42,5 | | | | | |
| 140 | 165 | 40 | | | | 84.00.341-4 | |
| 140 | 165 | 46 | | 82.00.028 | | | |
| 140 | 170 | 44,5 | | | 84.00.120-3 | | |
| 140 | 170 | 52 | | | | 84.00.120-4 | |
| 140 | 170 | 59,5 | | | | | 84.00.120-5 |
| 140 | 175 | 50 | | | 84.00.121-3 | | |
| 140 | 175 | 59 | | | | 84.00.121-4 | |
| 140 | 175 | 68 | | | | | 84.00.121-5 |
| 145 | 170 | 35 | | | 84.00.122-3 | | |
| 145 | 170 | 41 | | | | 84.00.122-4 | |
| 145 | 170 | 47 | | | | | 84.00.122-5 |
| 145 | 175 | 42,5 | | | 84.00.342-3 | | |
| 145 | 175 | 50 | | | | 84.00.342-4 | |
| 145 | 175 | 57,5 | | | | | 84.00.342-5 |
| 146,05 | 168,27 | 31,75 | | | 84.00.290-3 | | |
| 146,05 | 168,27 | 36,5 | | | | 84.00.290-4 | |
| 146,05 | 168,27 | 41,27 | | | | | 84.00.290-5 |
| 150 | 170 | 40 | | | | | 81.00.036 |
| 150 | 175 | 36,5 | | | 84.00.123-3 | | |
| 150 | 175 | 42,5 | | | | 84.00.123-4 | |
| 150 | 175 | 48,5 | | | | | 84.00.123-5 |
| 150 | 180 | 60 | | | | | 82.00.029 |
| 151,6 | 165,1 | 22,22 | | | 84.00.126-3 | | |
| 151,6 | 165,1 | 26,19 | | | | 84.00.126-4 | |
| 151,6 | 165,1 | 30,16 | | | | | 84.00.126-5 |
| 152,4 | 165,1 | 22,22 | | | 84.00.127-3 | | |
| 152,4 | 165,1 | 25,4 | | | | 84.00.127-4 | |
| 152,4 | 165,1 | 28,57 | | | | | 84.00.127-5 |
| 152,4 | 177,8 | 39,69 | | | 84.00.128-3 | | |
| 152,4 | 177,8 | 46,83 | | | | 84.00.128-4 | |
| 152,4 | 177,8 | 53,97 | | | | | 84.00.128-5 |
| 153,19 | 172,24 | 25,4 | | | 84.00.129-3 | | |
| 153,23 | 172,24 | 30,16 | | | | 84.00.129-4 | |
| 153,23 | 172,24 | 34,92 | | | | | 84.00.129-5 |
| 155 | 175 | 30 | | | 84.00.130-3 | | |
| 155 | 175 | 35 | | | | 84.00.130-4 | |
| 155 | 175 | 40 | | | | | 84.00.130-5 |
| 155 | 180 | 30,5 | | | 84.00.300-3 | | |
| 155 | 180 | 36,5 | | | | 84.00.300-4 | |
| 155 | 180 | 42,5 | | | | | 84.00.300-5 |
| 155 | 185 | 40 | | | 84.00.343-3 | | |
| 155 | 185 | 47 | | | | 84.00.343-4 | |
| 155 | 185 | 54 | | | | | 84.00.343-5 |

* =Ölçüler DIN/ISO 5597

* =Dimensions to DIN/ISO 5597

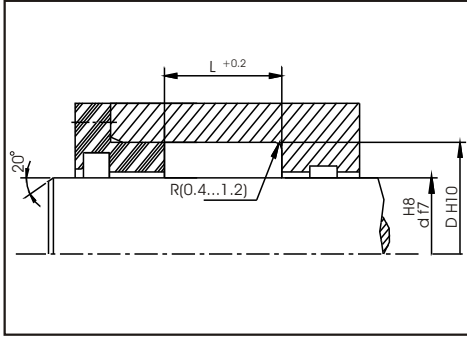
TAKIM CONTA- ROD İÇİN- CHEVRON SEALING SETS- FOR ROD-



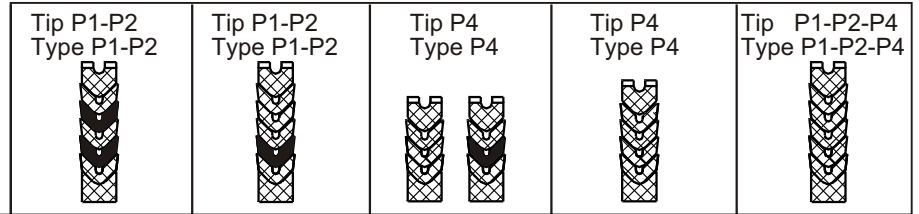
| d | D | H/L | REF.NO. | REF.NO. | REF.NO. | REF.NO. | REF.NO. |
|--------|--------|-------|---------|---------|-------------|-------------|-------------|
| 158,75 | 171,45 | 27,78 | | | 84.00.132-3 | | |
| 158,75 | 171,45 | 32,14 | | | | 84.00.132-4 | |
| 158,75 | 171,45 | 36,51 | | | | | 84.00.132-5 |
| 160 | 180 | 40 | | | | | 81.00.037 |
| * 160 | 185 | 40 | | | 84.00.135-3 | | |
| 160 | 185 | 47,5 | | | | 84.00.135-4 | |
| 160 | 185 | 55 | | | | | 84.00.135-5 |
| * 160 | 190 | 50 | | | | 84.00.344-4 | |
| 160 | 190 | 60 | | | | | 82.00.030 |
| 162,4 | 209,5 | 42,5 | | | 84.00.252-3 | | |
| 162,4 | 209,5 | 50 | | | | 84.00.252-4 | |
| 162,4 | 209,5 | 57,5 | | | | | 84.00.252-5 |
| 165 | 185 | 33 | | | 84.00.137-3 | | |
| 165 | 185 | 39 | | | | 84.00.137-4 | |
| 165 | 185 | 45 | | | | | 84.00.137-5 |
| 165 | 195 | 48,5 | | | 84.00.138-3 | | |
| 165 | 195 | 56,5 | | | | 84.00.138-4 | |
| 165 | 195 | 64,5 | | | | | 84.00.138-5 |
| 165,1 | 177,8 | 19,05 | | | 84.00.139-3 | | |
| 165,1 | 177,8 | 22,22 | | | | 84.00.139-4 | |
| 165,1 | 177,8 | 25,4 | | | | | 84.00.139-5 |
| 170 | 185 | 34 | | | 84.00.140-3 | | |
| 170 | 185 | 40 | | | | 84.00.140-4 | |
| 170 | 185 | 46 | | | | | 84.00.140-5 |
| 170 | 190 | 28 | | | 84.00.141-3 | | |
| 170 | 190 | 33 | | | | 84.00.141-4 | |
| 170 | 190 | 39 | | | | | 84.00.141-5 |
| 170 | 195 | 36,5 | | | 84.00.142-3 | | |
| 170 | 195 | 42,5 | | | | 84.00.142-4 | |
| 170 | 195 | 49,5 | | | | | 84.00.142-5 |
| 175 | 200 | 36,5 | | | 84.00.143-3 | | |
| 175 | 200 | 42,5 | | | | 84.00.143-4 | |
| 175 | 200 | 49,5 | | | | | 84.00.143-5 |
| 175 | 205 | 45 | | | 84.00.144-3 | | |
| 175 | 205 | 52,5 | | | | 84.00.144-4 | |
| 175 | 205 | 60 | | | | | 84.00.144-5 |
| 177,8 | 190,5 | 22,22 | | | 84.00.146-3 | | |
| 177,8 | 190,5 | 26,19 | | | | 84.00.146-4 | |
| 177,8 | 190,5 | 30,16 | | | | | 84.00.146-5 |
| 177,8 | 203,2 | 38,1 | | | 84.00.247-3 | | |
| 177,8 | 203,2 | 44,45 | | | | 84.00.247-4 | |
| 177,8 | 203,2 | 50,8 | | | | | 84.00.247-5 |
| 180 | 200 | 40 | | | | | 81.00.038 |
| * 180 | 205 | 40 | | | | 84.00.345-4 | |

* =Ölçüler DIN/ISO 5597

* =Dimensions to DIN/ISO 5597



TAKIM CONTA- ROD İÇİN- CHEVRON SEALING SETS- FOR ROD-

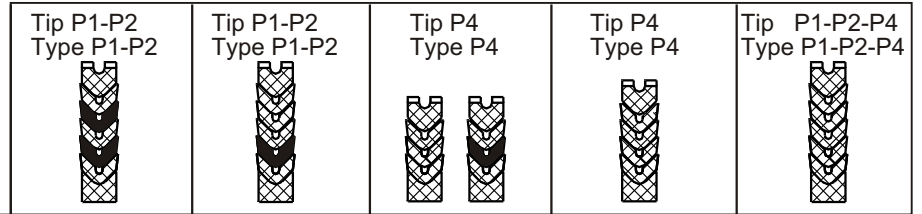
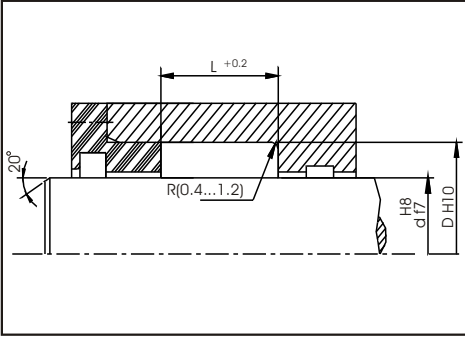


| d | D | H/L | REF.NO. | REF.NO. | REF.NO. | REF.NO. | REF.NO. |
|--------|--------|-------|---------|---------|-------------|-------------|-------------|
| 180 | 205 | 32 | | | 84.00.147-3 | | |
| 180 | 205 | 37,5 | | | | 84.00.147-4 | |
| 180 | 205 | 43 | | | | | 84.00.147-5 |
| * 180 | 210 | 50 | | | | 84.00.346-4 | |
| 180 | 210 | 60 | | | | | 82.00.031 |
| 185 | 205 | 27 | | | 84.00.148-3 | | |
| 185 | 205 | 32 | | | | 84.00.148-4 | |
| 185 | 205 | 37 | | | | | 84.00.148-5 |
| 185 | 210 | 24 | | | 84.00.149-3 | | |
| 185 | 210 | 28,5 | | | | 84.00.149-4 | |
| 185 | 210 | 33 | | | | | 84.00.149-5 |
| 190 | 220 | 45 | | | 84.00.151-3 | | |
| 190 | 220 | 52,5 | | | | 84.00.151-4 | |
| 190 | 220 | 60 | | | | | 84.00.151-5 |
| 190,5 | 203,2 | 19,05 | | | 84.00.291-3 | | |
| 190,5 | 203,2 | 22,22 | | | | 84.00.291-4 | |
| 190,5 | 203,2 | 25,4 | | | | | 84.00.291-5 |
| 195 | 227,5 | 48 | | | 84.00.152-3 | | |
| 195 | 227,5 | 56 | | | | 84.00.152-4 | |
| 195 | 227,5 | 64 | | | | | 84.00.152-5 |
| * 200 | 220 | 40 | | | | | 81.00.039 |
| * 200 | 225 | 40 | | | 84.00.248-3 | | |
| 200 | 225 | 47 | | | | 84.00.248-4 | |
| 200 | 225 | 54 | | | | | 84.00.248-5 |
| * 200 | 230 | 50 | | | | 84.00.347-4 | |
| 200 | 230 | 60 | | | | | 82.00.032 |
| 200 | 235 | 45 | | | 84.00.153-3 | | |
| 200 | 235 | 52,5 | | | | 84.00.153-4 | |
| 200 | 235 | 60 | | | | | 84.00.153-5 |
| 203,2 | 215,9 | 19,05 | | | 84.00.292-3 | | |
| 203,2 | 215,9 | 22,22 | | | | 84.00.292-4 | |
| 203,2 | 215,9 | 25,4 | | | | | 84.00.292-5 |
| 203,2 | 228,6 | 38,1 | | | 84.00.155-3 | | |
| 203,2 | 228,6 | 44,45 | | | | 84.00.155-4 | |
| 203,2 | 228,6 | 50,8 | | | | | 84.00.155-5 |
| 210 | 230 | 30 | | | 84.00.156-3 | | |
| 210 | 230 | 35 | | | | 84.00.156-4 | |
| 210 | 230 | 40 | | | | | 84.00.156-5 |
| 210 | 240 | 60 | | | | | 82.00.033 |
| 210 | 250 | 47 | | | 84.00.157-3 | | |
| 210 | 250 | 54,5 | | | | 84.00.157-4 | |
| 210 | 250 | 62 | | | | | 84.00.157-5 |
| 210,34 | 252,41 | 59,53 | | | 84.00.158-3 | | |
| 210,34 | 252,41 | 69,8 | | | | 84.00.158-4 | |

* =Ölçüler DIN/ISO 5597

* =Dimensions to DIN/ISO 5597

TAKIM CONTA- ROD İÇİN- CHEVRON SEALING SETS- FOR ROD-

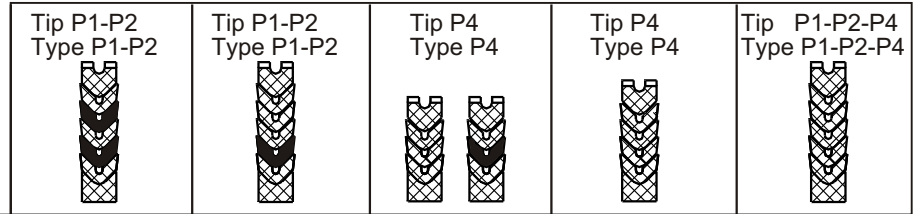
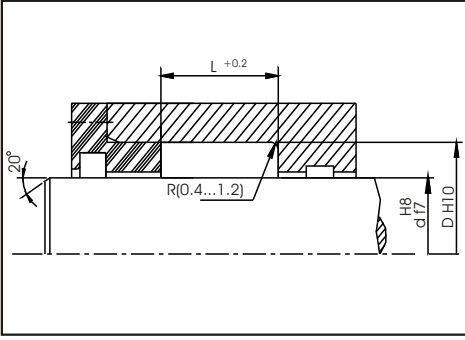


| d | D | H/L | REF.NO. | REF.NO. | REF.NO. | REF.NO. | REF.NO. |
|--------|--------|-------|---------|---------|-------------|-------------|-------------|
| 210,34 | 252,41 | 78,57 | | | | | 84.00.158-5 |
| 215 | 235 | 34 | | | 84.00.159-3 | | |
| 215 | 235 | 40 | | | | 84.00.159-4 | |
| 215 | 235 | 46 | | | | | 84.00.159-5 |
| 215 | 245 | 60 | | | | | 82.00.034 |
| 220 | 240 | 30 | | | 84.00.161-3 | | |
| 220 | 240 | 35 | | | | 84.00.161-4 | |
| 220 | 240 | 40 | | | | | 84.00.161-5 |
| * 220 | 250 | 50 | | | | 84.00.348-4 | |
| 222,2 | 254 | 47,62 | | | 84.00.298-3 | | |
| 222,2 | 254 | 55,55 | | | | 84.00.298-4 | |
| 222,2 | 254 | 63,48 | | | | | 84.00.297-5 |
| 225 | 255 | 60 | | | | | 82.00.035 |
| 230 | 260 | 60 | | | | | 82.00.036 |
| 240 | 260 | 34 | | | 84.00.164-3 | | |
| 240 | 260 | 40 | | | | 84.00.164-4 | |
| 240 | 260 | 46 | | | | | 84.00.164-5 |
| 240 | 270 | 60 | | | | | 82.00.037 |
| 240 | 280 | 50 | | | 84.00.287-3 | | |
| 240 | 280 | 58,5 | | | | 84.00.287-4 | |
| 240 | 280 | 67 | | | | | 84.00.287-5 |
| 250 | 270 | 30 | | | 84.00.167-3 | | |
| 250 | 270 | 35 | | | | 84.00.167-4 | |
| 250 | 270 | 40 | | | | | 84.00.167-5 |
| * 250 | 280 | 50 | | | 84.00.349-3 | | |
| 250 | 280 | 49 | | | 84.00.168-3 | | |
| 250 | 280 | 57 | | | | 84.00.168-4 | |
| 250 | 280 | 65 | | | | | 84.00.168-5 |
| 250 | 285 | 45 | | | 84.00.169-3 | | |
| 250 | 285 | 52,5 | | | | 84.00.169-4 | |
| 250 | 285 | 60 | | | | | 84.00.169-5 |
| 250 | 290 | 65 | | | | | 82.00.038 |
| 260 | 280 | 28 | | | 84.00.172-3 | | |
| 260 | 280 | 33 | | | | 84.00.172-4 | |
| 260 | 280 | 38 | | | | | 84.00.172-5 |
| 260 | 290 | 45 | | | 84.00.173-3 | | |
| 260 | 290 | 52,5 | | | | 84.00.173-4 | |
| 260 | 290 | 60 | | | | | 84.00.173-5 |
| 280 | 300 | 30 | | | 84.00.176-3 | | |
| 280 | 300 | 35 | | | | 84.00.176-4 | |
| 280 | 300 | 40 | | | | | 84.00.176-5 |
| * 280 | 310 | 50 | | | | 84.00.350-4 | |
| 280 | 310 | 45 | | | 84.00.177-3 | | |
| 280 | 310 | 52,5 | | | | 84.00.177-4 | |

* =Ölçüler DIN/ISO 5597

* =Dimensions to DIN/ISO 5597

TAKIM CONTA- ROD İÇİN- CHEVRON SEALING SETS- FOR ROD-

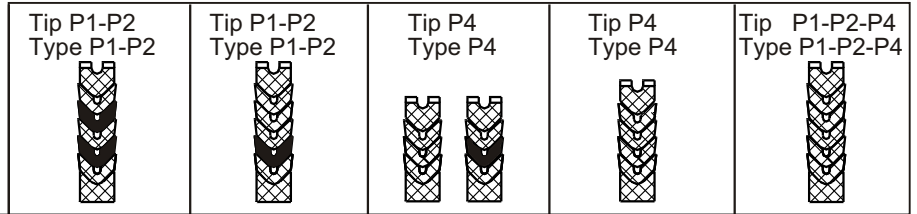
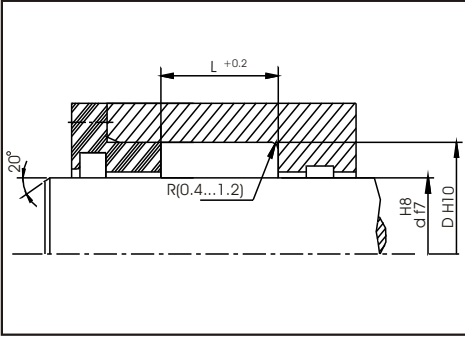


| d | D | H/L | REF.NO. | REF.NO. | REF.NO. | REF.NO. | REF.NO. |
|-------|--------|--------|---------|---------|-------------|-------------|-------------|
| 280 | 310 | 60 | | | | | 84.00.177-5 |
| 280 | 320 | 58 | | | 84.00.178-3 | | |
| 280 | 320 | 68 | | | | 84.00.178-4 | |
| 280 | 320 | 78 | | | | | 84.00.178-5 |
| 285 | 325 | 55 | | | 84.00.179-3 | | |
| 285 | 325 | 65 | | | | 84.00.179-4 | |
| 285 | 325 | 75 | | | | | 84.00.179-5 |
| 290 | 320 | 42,5 | | | 84.00.180-3 | | |
| 290 | 320 | 50 | | | | 84.00.180-4 | |
| 290 | 320 | 57,5 | | | | | 84.00.180-5 |
| 295 | 325 | 47,5 | | | 84.00.236-3 | | |
| 295 | 325 | 55 | | | | 84.00.236-4 | |
| 295 | 325 | 62,5 | | | | | 84.00.236-5 |
| 300 | 330 | 45 | | | 84.00.183-3 | | |
| 300 | 330 | 52,5 | | | | 84.00.183-4 | |
| 300 | 330 | 60 | | | | | 84.00.183-5 |
| 300 | 340 | 55 | | | 84.00.296-3 | | |
| 300 | 340 | 65 | | | | 84.00.296-4 | |
| 300 | 340 | 75 | | | | | 84.00.296-5 |
| 310 | 340 | 45 | | | 84.00.185-3 | | |
| 310 | 340 | 52,5 | | | | 84.00.185-4 | |
| 310 | 340 | 60 | | | | | 84.00.185-5 |
| 320 | 350 | 45 | | | 84.00.187-3 | | |
| 320 | 350 | 52,5 | | | | 84.00.187-4 | |
| 320 | 350 | 60 | | | | | 84.00.187-5 |
| 320 | 360 | 63 | | | | 84.00.351-4 | |
| 320 | 360 | 55 | | | 84.00.188-3 | | |
| 320 | 360 | 65 | | | | 84.00.188-4 | |
| 320 | 360 | 75 | | | | | 84.00.188-5 |
| 325 | 355 | 45 | | | 84.00.189-3 | | |
| 325 | 355 | 52,5 | | | | 84.00.189-4 | |
| 325 | 355 | 60 | | | | | 84.00.189-5 |
| 330 | 360 | 40 | | | 84.00.190-3 | | |
| 330 | 360 | 47,5 | | | | 84.00.190-4 | |
| 330 | 360 | 55 | | | | | 84.00.190-5 |
| 330 | 370 | 55 | | | 84.00.191-3 | | |
| 330 | 370 | 65 | | | | 84.00.191-4 | |
| 330 | 370 | 75 | | | | | 84.00.191-5 |
| 330,2 | 387,35 | 82,55 | | | 84.00.352-3 | | |
| 330,2 | 387,35 | 96,83 | | | | 84.00.352-4 | |
| 330,2 | 387,35 | 111,11 | | | | | 84.00.352-5 |
| 335 | 365 | 45 | | | 84.00.256-3 | | |
| 335 | 365 | 52,5 | | | | 84.00.256-4 | |
| 335 | 365 | 60 | | | | | 84.00.256-5 |

* =Ölçüler DIN/ISO 5597

* =Dimensions to DIN/ISO 5597

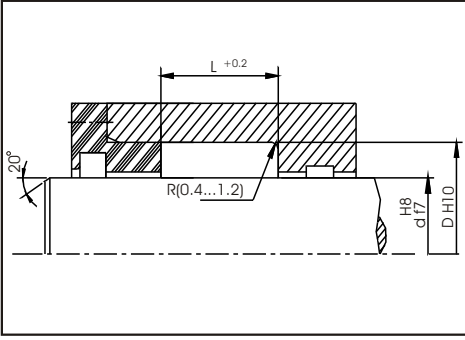
TAKIM CONTA- ROD İÇİN- CHEVRON SEALING SETS- FOR ROD-



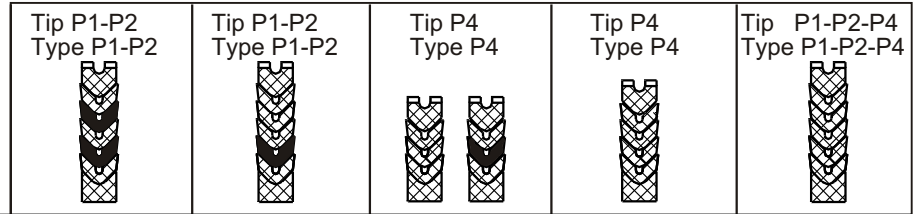
| d | D | H/L | REF.NO. | REF.NO. | REF.NO. | REF.NO. | REF.NO. |
|--------|--------|------|---------|---------|-------------|-------------|-------------|
| 340 | 370 | 45 | | | 84.00.193-3 | | |
| 340 | 370 | 52,5 | | | | 84.00.193-4 | |
| 340 | 370 | 60 | | | | | 84.00.193-5 |
| 340 | 380 | 55 | | | 84.00.237-3 | | |
| 340 | 380 | 65 | | | | 84.00.237-4 | |
| 340 | 380 | 75 | | | | | 84.00.237-5 |
| 349,25 | 387,35 | 53 | | | 84.00.353-3 | | |
| 349,25 | 387,35 | 63 | | | | 84.00.353-4 | 84.00.353-5 |
| 349,25 | 387,35 | 73 | | | | | |
| 350 | 380 | 45 | | | 84.00.194-3 | | |
| 350 | 380 | 52,5 | | | | 84.00.194-4 | |
| 350 | 380 | 60 | | | | | 84.00.194-5 |
| 350 | 390 | 60 | | | 84.00.257-3 | | |
| 350 | 390 | 70 | | | | 84.00.257-4 | |
| 350 | 390 | 80 | | | | | 84.00.257-5 |
| 355 | 400 | 55,5 | | | 84.00.302-3 | | |
| 355 | 400 | 63,5 | | | | 84.00.302-4 | |
| 355 | 400 | 71,5 | | | | | 84.00.302-5 |
| 360 | 385 | 42,5 | | | 84.00.196-3 | | |
| 360 | 385 | 50 | | | | 84.00.196-4 | |
| 360 | 385 | 57,5 | | | | | 84.00.196-5 |
| 360 | 390 | 45 | | | 84.00.197-3 | | |
| 360 | 390 | 52,5 | | | | 84.00.197-4 | |
| 360 | 390 | 60 | | | | | 84.00.197-5 |
| 360 | 400 | 63 | | | | 84.00.354-4 | |
| 360 | 400 | 55 | | | 84.00.198-3 | | |
| 360 | 400 | 65 | | | | 84.00.198-4 | |
| 360 | 400 | 75 | | | | | 84.00.198-5 |
| 370 | 410 | 60 | | | 84.00.259-3 | | |
| 370 | 410 | 70 | | | | 84.00.259-4 | |
| 370 | 410 | 80 | | | | | 84.00.259-5 |
| 375 | 405 | 45 | | | 84.00.260-3 | | |
| 375 | 405 | 52,5 | | | | 84.00.260-4 | |
| 375 | 405 | 60 | | | | | 84.00.260-5 |
| 380 | 410 | 45 | | | 84.00.203-3 | | |
| 380 | 410 | 52,5 | | | | 84.00.203-4 | |
| 380 | 410 | 60 | | | | | 84.00.203-5 |
| 380 | 420 | 55 | | | 84.00.204-3 | | |
| 380 | 420 | 65 | | | | 84.00.204-4 | |
| 380 | 420 | 75 | | | | | 84.00.204-5 |
| 390 | 430 | 55 | | | 84.00.205-3 | | |
| 390 | 430 | 65 | | | | 84.00.205-4 | |
| 390 | 430 | 75 | | | | | 84.00.205-5 |
| 395 | 425 | 50 | | | 84.00.206-3 | | |

* =Ölçüler DIN/ISO 5597

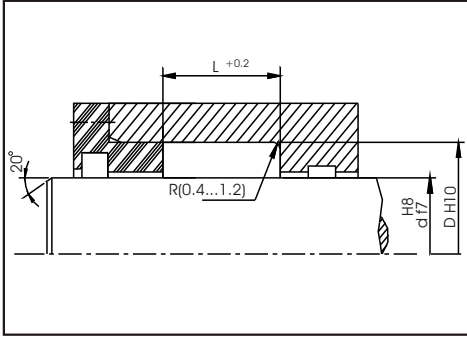
* =Dimensions to DIN/ISO 5597



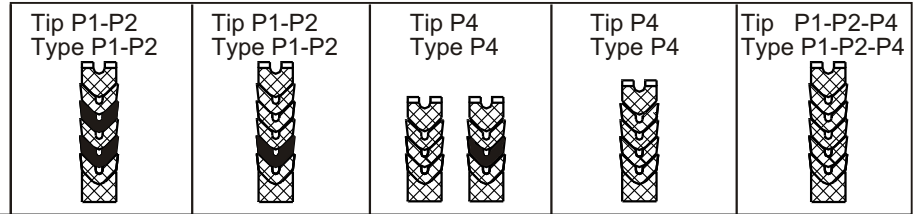
TAKIM CONTA- ROD İÇİN- CHEVRON SEALING SETS- FOR ROD-



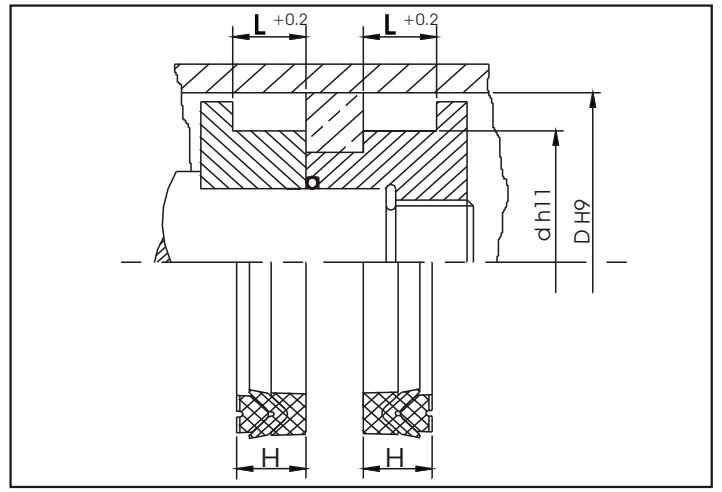
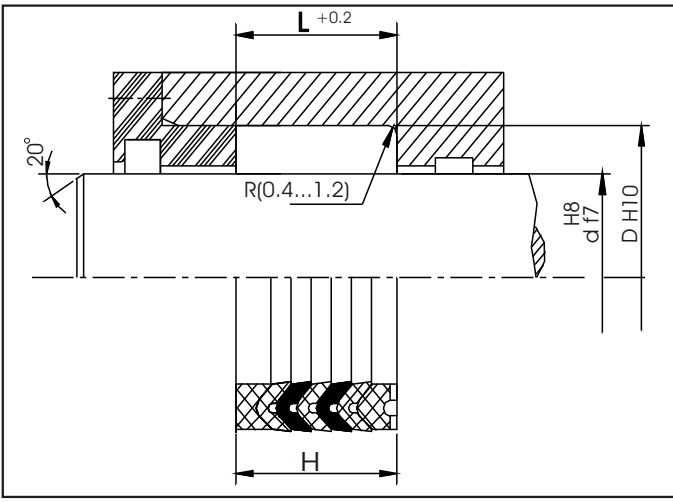
| d | D | H/L | REF.NO. | REF.NO. | REF.NO. | REF.NO. | REF.NO. |
|-------|-------|------|---------|---------|-------------|-------------|-------------|
| 395 | 425 | 60 | | | | 84.00.206-4 | |
| 395 | 425 | 70 | | | | | 84.00.206-5 |
| 400 | 430 | 54 | | | 84.00.207-3 | | |
| 400 | 430 | 62 | | | | 84.00.207-4 | |
| 400 | 430 | 70 | | | | | 84.00.207-5 |
| 400 | 440 | 55 | | | 84.00.208-3 | | |
| 400 | 440 | 65 | | | | 84.00.208-4 | |
| 400 | 440 | 75 | | | | | 84.00.208-5 |
| 410 | 450 | 55 | | | 84.00.209-3 | | |
| 410 | 450 | 65 | | | | 84.00.209-4 | |
| 410 | 450 | 75 | | | | | 84.00.209-5 |
| 414,5 | 456,5 | 60 | | | 84.00.210-3 | | |
| 414,5 | 456,5 | 70 | | | | 84.00.210-4 | |
| 414,5 | 456,5 | 80 | | | | | 84.00.210-5 |
| 420 | 460 | 60 | | | 84.00.211-3 | | |
| 420 | 460 | 70 | | | | 84.00.211-4 | |
| 420 | 460 | 80 | | | | | 84.00.211-5 |
| 425 | 465 | 56 | | | 84.00.212-3 | | |
| 425 | 465 | 65 | | | | 84.00.212-4 | |
| 425 | 465 | 74 | | | | | 84.00.212-5 |
| 440 | 480 | 60 | | | 84.00.213-3 | | |
| 440 | 480 | 70 | | | | 84.00.213-4 | |
| 440 | 480 | 80 | | | | | 84.00.213-5 |
| 450 | 485 | 50 | | | 84.00.289-3 | | |
| 450 | 485 | 57,5 | | | | 84.00.289-4 | |
| 450 | 485 | 65 | | | | | 84.00.289-5 |
| 450 | 490 | 55 | | | 84.00.214-3 | | |
| 450 | 490 | 65 | | | | 84.00.214-4 | |
| 450 | 490 | 75 | | | | | 84.00.214-5 |
| 455 | 500 | 60 | | | 84.00.288-3 | | |
| 455 | 500 | 70 | | | | 84.00.288-4 | |
| 455 | 500 | 80 | | | | | 84.00.288-5 |
| 460 | 500 | 60 | | | 84.00.355-3 | | |
| 460 | 500 | 70 | | | | 84.00.355-4 | |
| 460 | 500 | 80 | | | | | 84.00.355-5 |
| 480 | 520 | 60 | | | 84.00.215-3 | | |
| 480 | 520 | 70 | | | | 84.00.215-4 | |
| 480 | 520 | 80 | | | | | 84.00.215-5 |
| 492 | 532 | 55 | | | 84.00.216-3 | | |
| 492 | 532 | 65 | | | | 84.00.216-4 | |
| 492 | 532 | 75 | | | | | 84.00.216-5 |
| 500 | 540 | 55 | | | 84.00.218-3 | | |
| 500 | 540 | 65 | | | | 84.00.218-4 | |
| 500 | 540 | 75 | | | | | 84.00.218-5 |



TAKIM CONTA- ROD İÇİN- CHEVRON SEALING SETS- FOR ROD-



| d | D | H/L | REF.NO. | REF.NO. | REF.NO. | REF.NO. | REF.NO. |
|-----|-----|------|---------|---------|-------------|-------------|-------------|
| 520 | 560 | 60 | | | 84.00.262-3 | | |
| 520 | 560 | 70 | | | | 84.00.262-4 | |
| 520 | 560 | 80 | | | | | 84.00.262-4 |
| 530 | 570 | 55 | | | 84.00.221-3 | | |
| 530 | 570 | 65 | | | | 84.00.221-4 | |
| 530 | 570 | 75 | | | | | 84.00.221-5 |
| 550 | 600 | 75 | | | 84.00.222-3 | | |
| 550 | 600 | 87,5 | | | | 84.00.222-4 | |
| 550 | 600 | 100 | | | | | 84.00.222-5 |
| 560 | 610 | 75 | | | 84.00.223-3 | | |
| 560 | 610 | 87,5 | | | | 84.00.223-4 | |
| 560 | 610 | 100 | | | | | 84.00.223-5 |
| 590 | 630 | 60 | | | 84.00.224-3 | | |
| 590 | 630 | 70 | | | | 84.00.224-4 | |
| 590 | 630 | 80 | | | | | 84.00.224-5 |
| 600 | 640 | 55 | | | 84.00.227-3 | | |
| 600 | 640 | 65 | | | | 84.00.227-4 | |
| 600 | 640 | 75 | | | | | 84.00.227-5 |
| 610 | 650 | 60 | | | 84.00.357-3 | | |
| 610 | 650 | 70 | | | | 84.00.357-4 | |
| 610 | 650 | 80 | | | | | 84.00.357-5 |
| 630 | 670 | 60 | | | 84.00.295-3 | | |
| 630 | 670 | 70 | | | | 84.00.295-4 | |
| 630 | 670 | 80 | | | | | 84.00.295-5 |
| 640 | 680 | 60 | | | 84.00.245-3 | | |
| 640 | 680 | 70 | | | | 84.00.245-4 | |
| 640 | 680 | 80 | | | | | 84.00.245-5 |
| 650 | 690 | 60 | | | 84.00.265-3 | | |
| 650 | 690 | 70 | | | | 84.00.265-4 | |
| 650 | 690 | 80 | | | | | 84.00.265-5 |
| 660 | 700 | 60 | | | 84.00.231-3 | | |
| 660 | 700 | 70 | | | | 84.00.231-4 | |
| 660 | 700 | 80 | | | | | 84.00.231-5 |
| 680 | 720 | 60 | | | 84.00.356-3 | | |
| 680 | 720 | 70 | | | | 84.00.356-4 | |
| 680 | 720 | 80 | | | | | 84.00.356-5 |
| 700 | 740 | 60 | | | 84.00.233-3 | | |
| 700 | 740 | 70 | | | | 84.00.233-4 | |
| 700 | 740 | 80 | | | | | 84.00.233-5 |
| 700 | 750 | 75 | | | 84.00.268-3 | | |
| 700 | 750 | 87,5 | | | | 84.00.268-4 | |
| 700 | 750 | 100 | | | | | 84.00.268-5 |
| 720 | 770 | 75 | | | 84.00.234-3 | | |
| 720 | 770 | 87,5 | | | | 84.00.234-4 | |



Tanım.

Üretim programımızda bulunan bu tip sızdırmazlık elemanları, genellikle piston, piston kolu ve yüzer piston sızdırmazlığında kullanılır.

Pamuklu beze NBR emdirilerek hazırlanan takım contalarımız Rod ve Piston olarak iki ayrı seride üretilmektedir.

Piston uygulamalarında kullanılan takım conta serimiz 3 manşetten oluşmaktadır.

Rod uygulamalarında kullanılan serimiz ise en az 5 manşetten oluşturulmuş olup, değişik manşet sayılarındaki yükseklik değerleri tablo halinde sunulmuştur.

Definition.

The chevron sealing sets, which are in our production program, are mainly used to seal the plunger and piston rods of working cylinders.

Our seals, which are produced with NBR impregnated cotton fabric, are in two different series: For rods and for pistons.

For piston applications our packing series consist of 3 chevron seals.

For Rod applications our packing series consist of minimum 5 chevron seals and the heights with different number of chevron seals are given on the following table.

Avantajları.

- Geniş çalışma alanı ve çok sayıdaki sızdırmazlık dudağı sayesinde mükemmel performans.
- Ölçüsel süreklilik ve tepe basınçlarına karşı dayanım.
- Montajı kolaylaştırmak için kesilebilme.
- Tek parça contalara nazaran sürtünme yüzeylerindeki pislilere karşı daha az etkilenme.
- Eksenel ayarlarla istisnai çalışma şartlarına uyum.

Advantages.

- Very good sealing effect thanks to long bearing surface and multiple sealing lips.
- Good dimensional stability, insensitive to high pressure peaks.
- Seal can be cut for repairs to facilitate fitting.
- Less sensitive than one piece seals to contamination of the operating medium or light damage to the sliding surfaces.
- Adaptability to exceptional working conditions by changing or adjusting the axial preload.

Standart Malzemeler.

Üst ring: Bez+NBR yada POM.
Ara ring: Bez+NBR ve NBR.
Alt ring :Bez+NBR

Özel koşullar için; yüksek sıcaklık ve özel kimyasal ortamlarda Bez+FPM(Viton) olarak da üretimimiz mevcuttur.

Standard Materials.

Back-up ring: NBR+Fabric or POM.
Chevron seals: NBR+Fabric and NBR.
Header ring : NBR+Fabric

The sealing sets are also available in FPM+Fabric for higher temperatures and special chemical requirements.

Yüzey Pürüzlülüğü.

| | Ra μm | Rt μm |
|-----------------------------|------------------|------------------|
| Dinamik Sızdırmazlık Yüzeyi | 0.1....0.4 | 4 max. |
| Statik Sızdırmazlık Yüzeyi | 1.8 max. | 10 max. |
| Yanal Yüzey | 3.2 max. | 16 max. |

Surface Finish.

| | Ra μm | Rt μm |
|--------------------------|------------------|------------------|
| Dynamic Sealing Surfaces | 0.1....0.4 | 4 max. |
| Static Sealing Surfaces | 1.8 max. | 10 max. |
| Non Sealing Surfaces | 3.2 max. | 16 max. |

Uygulama Aralığı.

Basınç: ≤ 400 bar.
Sıcaklık: $-30....100$ °C.
Kayma Hızı: ≤ 0.5 m/sn.

Application Conditions.

Pressure: < 400 bar.
Temperature: $-30....100$ °C.
Sliding Speed: < 0.5 m/sn.