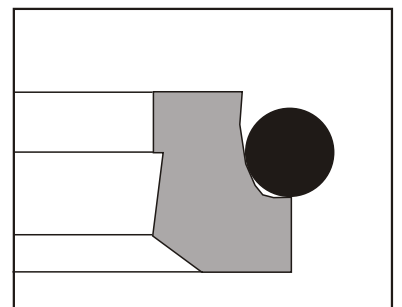
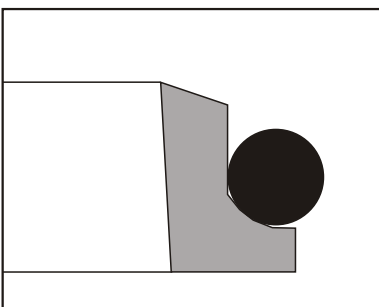
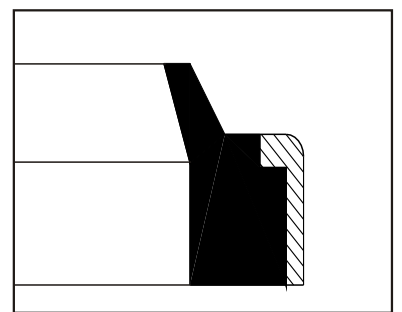
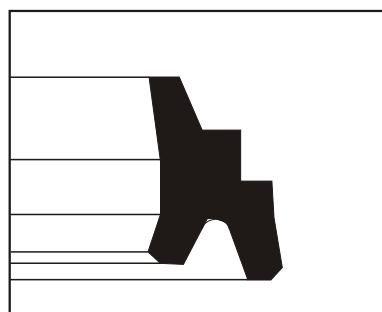
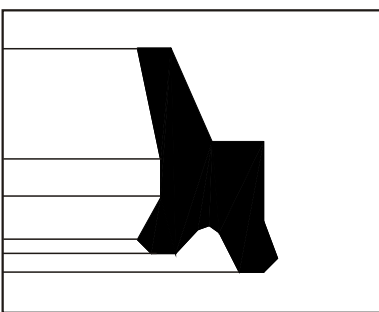
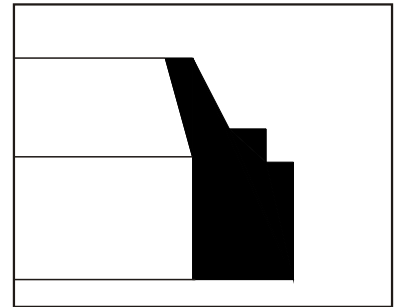
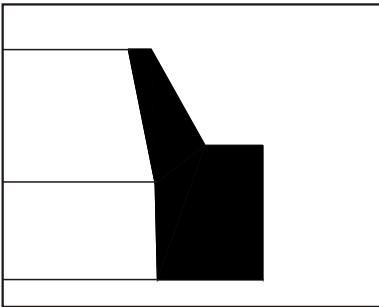
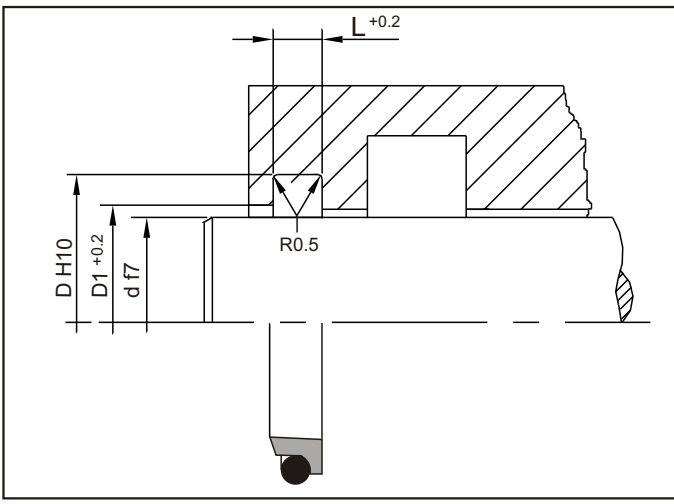




polilas®

TOZ SIYIRICILAR WIPERS





Tanım.

Üretim programımızda bulunan bu tip (PTS) piston rodlarında sıyırıcı olarak kullanılır.

Görevleri pistonlara toz, pislik, kum tanecikleri ve metal parçacıklarının girmesini önlemektir. Böylece çizilmeler büyük ölçüde engellenmekte, yataklama elemanları korunmakta ve sistemdeki diğer elemanların da ömrü uzamaktadır.

Definition.

This type (PTS) which is in our production program is used as wiper on piston rods. The function of wipers is to prevent dust, dirt, grains of sand and metal swarf from penetrating into pistons.

Thus the development of scratches is largely prevented, guiding elements are protected and the working life of seals is extended.

Avantajları.

- Çok iyi kayma özelliği ve düşük yapış kay eğilimi.
- Yüksek aşınma dayanımı.
- Küçük ve basit montaj aralığı.
- Her ölçüde bulunabilme kolaylığı.

Advantages.

- Dynamic slide friction and minimal break-out.
- High wear resistance.
- Small, simple fitting areas.
- Continuous range of sizes available.

Standart Malzemeler.

Sızdırmazlık ringi: PTFE+BRONZ.
Elastomer O-Ring: NBR.

Yüksek sıcaklık ve özel kimyasal ortamlar için O-Ring FPM(Viton) olarak da üretilmektedir..

Standard Materials.

Sealing ring: PTFE+BRONZE.
Elastomer O-Ring: NBR.

For high temperatures and special chemical mediums, the O-ring is also produced with FPM.

Yüzey Pürüzlülüğü.

	Ra μm	Rt μm
Dinamik Sızdırmazlık Yüzeyi	0.1...0.4	4 max.
Statik Sızdırmazlık Yüzeyi	1.8 max.	10 max.
Yanal Yüzey	3.2 max.	16 max.

Surface Finish.

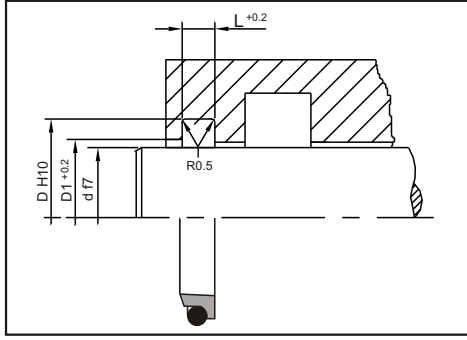
	Ra μm	Rt μm
Dynamic Sealing Surfaces	0.1...0.4	4 max.
Static Sealing Surfaces	1.8 max.	10 max.
Non Sealing Surfaces	3.2 max.	16 max.

Uygulama Aralığı.

Sıcaklık: -30.....100 °C.
Kayma Hızı: < 5 m/sn.

Application Conditions.

Temperature: -30.....100 °C.
Sliding Speed: < 5 m/sn.

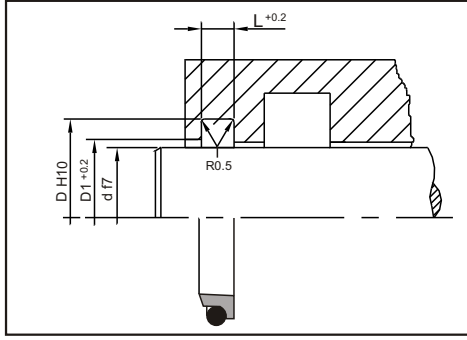


PTFE SIYIRICI PTS- ROD İÇİN- PTFE WIPER PTS- FOR ROD-

Değişik malzemeler ve ölçüler için sorunuz.

Other materials and sizes on request.

d	D	L	D1	REF.NO
15	21,8	5,0	18,5	44.00.001
16	22,8	5,0	19,5	44.00.002
18	24,8	5,0	21,5	44.00.003
20	26,8	5,0	23,5	44.00.004
22	28,8	5,0	25,5	44.00.005
25	31,8	5,0	28,5	44.00.006
28	34,8	5,0	31,5	44.00.007
30	36,8	5,0	33,5	44.00.008
32	38,8	5,0	35,5	44.00.009
35	41,8	5,0	38,5	44.00.010
36	42,8	5,0	39,5	44.00.011
38	44,8	5,0	41,5	44.00.012
40	46,8	5,0	43,5	44.00.013
42	48,8	5,0	45,5	44.00.014
45	51,8	5,0	48,5	44.00.015
50	56,8	5,0	53,5	44.00.016
55	61,8	5,0	58,5	44.00.017
56	62,8	5,0	59,5	44.00.018
60	66,8	5,0	63,5	44.00.019
63	69,8	5,0	66,5	44.00.020
65	73,8	6,0	69,0	44.00.021
70	78,8	6,0	74,0	44.00.022
75	83,8	6,0	79,0	44.00.023
80	88,8	6,0	84,0	44.00.024
85	93,8	6,0	89,0	44.00.025
90	98,8	6,0	94,0	44.00.026
95	103,8	6,0	99,0	44.00.027
100	108,8	6,0	104,0	44.00.028
105	113,8	6,0	109,0	44.00.029
110	118,8	6,0	114,0	44.00.030
115	123,8	6,0	119,0	44.00.031
120	128,8	6,0	124,0	44.00.032
125	133,8	6,0	129,0	44.00.033
130	138,8	6,0	134,0	44.00.034
135	143,8	6,0	139,0	44.00.035
140	148,8	6,0	144,0	44.00.036
150	158,8	6,0	154,0	44.00.037
160	168,8	6,0	164,0	44.00.038
170	178,8	6,0	174,0	44.00.039
180	188,8	6,0	184,0	44.00.040
190	198,8	6,0	194,0	44.00.041
200	208,8	6,0	204,0	44.00.042
210	218,8	6,0	214,0	44.00.043
220	228,8	6,0	224,0	44.00.044



PTFE SIYIRICI PTS- ROD İÇİN- PTFE WIPER PTS- FOR ROD-

Değişik malzemeler ve ölçüler için sorunuz.

Other materials and sizes on request.

d	D	L	D1	REF.NO
230	238,8	6,0	234,0	44.00.045
240	248,8	6,0	244,0	44.00.046
250	258,8	6,0	254,0	44.00.047
260	272,2	8,4	264,5	44.00.048
270	282,2	8,4	274,5	44.00.049
280	292,2	8,4	284,5	44.00.050
290	302,2	8,4	294,5	44.00.051
300	312,2	8,4	304,5	44.00.052
310	322,2	8,4	314,5	44.00.053
320	332,2	8,4	324,5	44.00.054
330	342,2	8,4	334,5	44.00.055
340	352,2	8,4	344,5	44.00.056
350	362,2	8,4	354,5	44.00.057
360	372,2	8,4	364,5	44.00.058
370	382,2	8,4	374,5	44.00.059
380	392,2	8,4	384,5	44.00.060
390	402,2	8,4	394,5	44.00.061
400	412,2	8,4	404,5	44.00.062
410	422,2	8,4	414,5	44.00.063
420	432,2	8,4	424,5	44.00.064
430	446,0	11,0	435,2	44.00.065
440	456,0	11,0	445,2	44.00.066
450	466,0	11,0	455,2	44.00.067
460	476,0	11,0	465,2	44.00.068
470	486,0	11,0	475,2	44.00.069
480	496,0	11,0	485,2	44.00.070
490	506,0	11,0	495,2	44.00.071
500	516,0	11,0	505,2	44.00.072
510	526,0	11,0	515,2	44.00.073
520	536,0	11,0	525,2	44.00.074
530	546,0	11,0	535,2	44.00.075
540	556,0	11,0	545,2	44.00.076
550	566,0	11,0	555,2	44.00.077
560	576,0	11,0	565,2	44.00.078
570	586,0	11,0	575,2	44.00.079
580	596,0	11,0	585,2	44.00.080
590	606,0	11,0	595,2	44.00.081
600	616,0	11,0	605,2	44.00.082
610	626,0	11,0	615,2	44.00.083
620	636,0	11,0	625,2	44.00.084
630	646,0	11,0	635,2	44.00.085
640	656,0	11,0	645,2	44.00.086
650	666,0	11,0	655,2	44.00.087